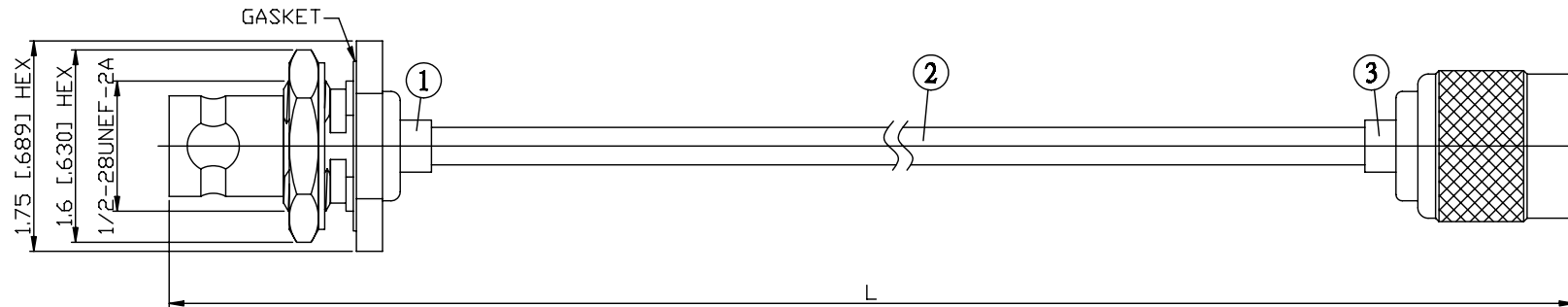


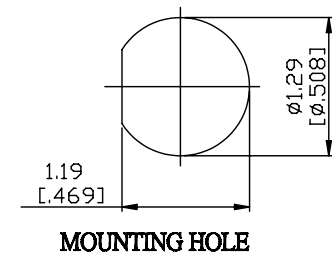
NO.	COMPONENTS	IMPEDANCE
1	BNC REVERSE POLARITY FEMALE FOR BULKHEAD	50 OHM
2	.141" TIN PLATED SEMI-RIGID CABLE (TIN PLATED RG402)	50 OHM
3	TNC REVERSE POLARITY MALE	50 OHM

BNC R/P FEMALE FOR BULKHEAD

TNC R/P MALE



JYE BAO P/N	L CM (INCH)
B95T60-141T-15	15 (5.906)
B95T60-141T-30	30 (11.811)
B95T60-141T-50	50 (19.685)
B95T60-141T-100	100 (39.370)
B95T60-141T-150	150 (59.055)
B95T60-141T-200	200 (78.740)
B95T60-141T-XXX	CUSTOM LENGTH IN CM



<p>LENGTH TOLERANCE IS ±1.5% OR ±10MM, WHICHEVER IS GREATER.</p>	<p>JYE BAO CO., LTD.</p> <p>TAIPEI TAIWAN</p>
	<p>DESCRIPTION CABLE ASSEMBLY BNC R/P JACK FOR BULKHEAD TO TNC R/P PLUG</p>
	<p>JYE BAO DRAWING NO. B95T60-141T-XXX</p>