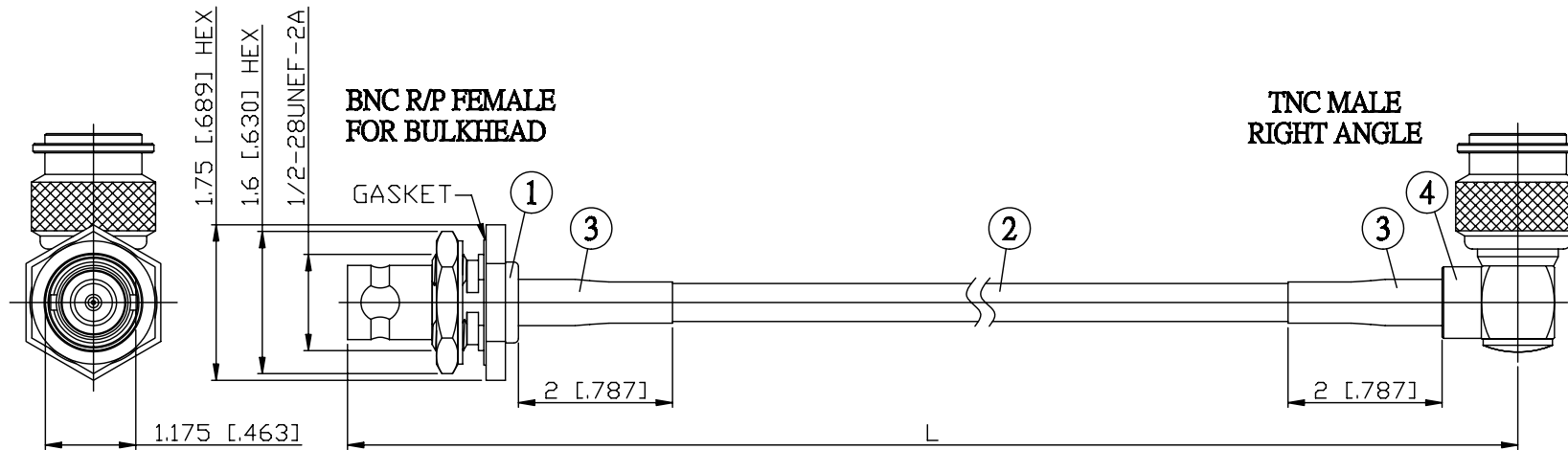
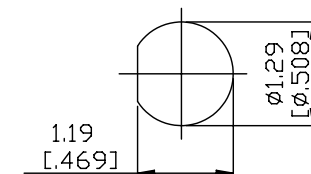


NO.	COMPONENTS	IMPEDANCE
1	BNC REVERSE POLARITY FEMALE FOR BULKHEAD	50 OHM
2	JBYP195	50 OHM
3	HEAT SHRINKING TUBE	
4	TNC MALE RIGHT ANGLE	50 OHM



JYE BAO P/N	L CM (INCH)
B95T39-L195-15	15 (5.906)
B95T39-L195-30	30 (11.811)
B95T39-L195-50	50 (19.685)
B95T39-L195-100	100 (39.370)
B95T39-L195-150	150 (59.055)
B95T39-L195-200	200 (78.740)
B95T39-L195-XXX	CUSTOM LENGTH IN CM



MOUNTING HOLE

<p>LENGTH TOLERANCE IS $\pm 1.5\%$ OR $\pm 10\text{MM}$, WHICHEVER IS GREATER.</p>	<p>JYE BAO CO., LTD.</p> <p>TAIPEI TAIWAN</p>
	<p>DESCRIPTION CABLE ASSEMBLY BNC R/P JACK FOR BULKHEAD TO TNC PLUG R/A</p>
	<p>JYE BAO DRAWING NO. B95T39-L195-XXX</p>