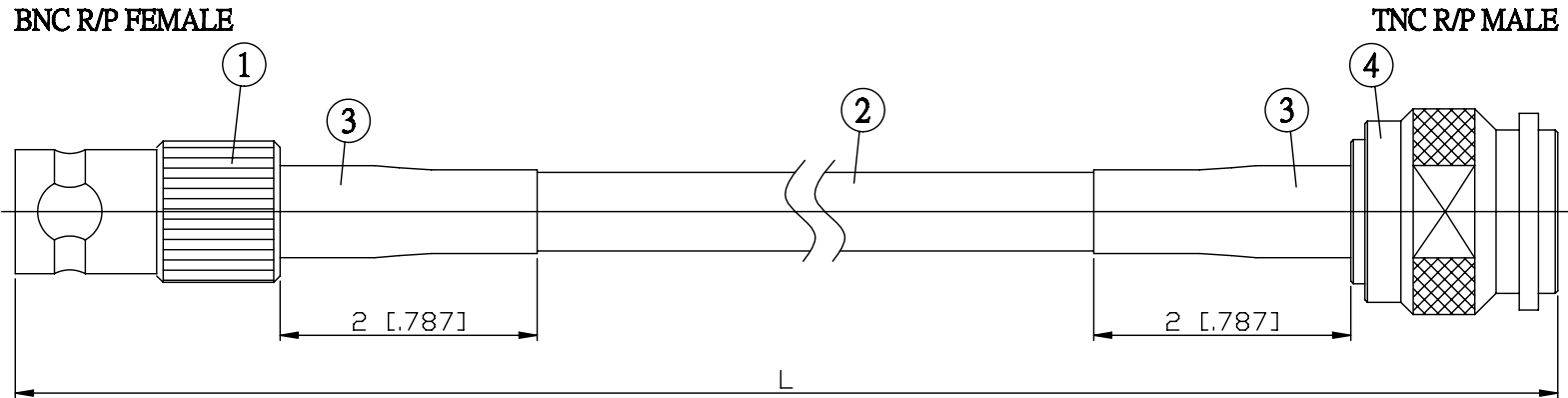


| NO. | COMPONENTS | IMPEDANCE |
|-----|-----------------------------|-----------|
| 1 | BNC REVERSE POLARITY FEMALE | 50 OHM |
| 2 | JBY240 | 50 OHM |
| 3 | HEAT SHRINKING TUBE | |
| 4 | TNC REVERSE POLARITY MALE | 50 OHM |



| JYE BAO P/N | L CM (INCH) |
|-----------------|------------------------|
| B90T60-L240-15 | 15 (5.906) |
| B90T60-L240-30 | 30 (11.811) |
| B90T60-L240-50 | 50 (19.685) |
| B90T60-L240-100 | 100 (39.370) |
| B90T60-L240-150 | 150 (59.055) |
| B90T60-L240-200 | 200 (78.740) |
| B90T60-L240-XXX | CUSTOM LENGTH IN CM |

| | |
|--|---|
| LENGTH TOLERANCE IS $\pm 1.5\%$ OR $\pm 10\text{MM}$, WHICHEVER IS GREATER. | JYE BAO CO., LTD. TAIPEI TAIWAN |
| | <small>DESCRIPTION</small> CABLE ASSEMBLY BNC R/P JACK TO TNC R/P PLUG |
| | <small>JYE BAO DRAWING NO.</small> B90T60-L240-XXX |