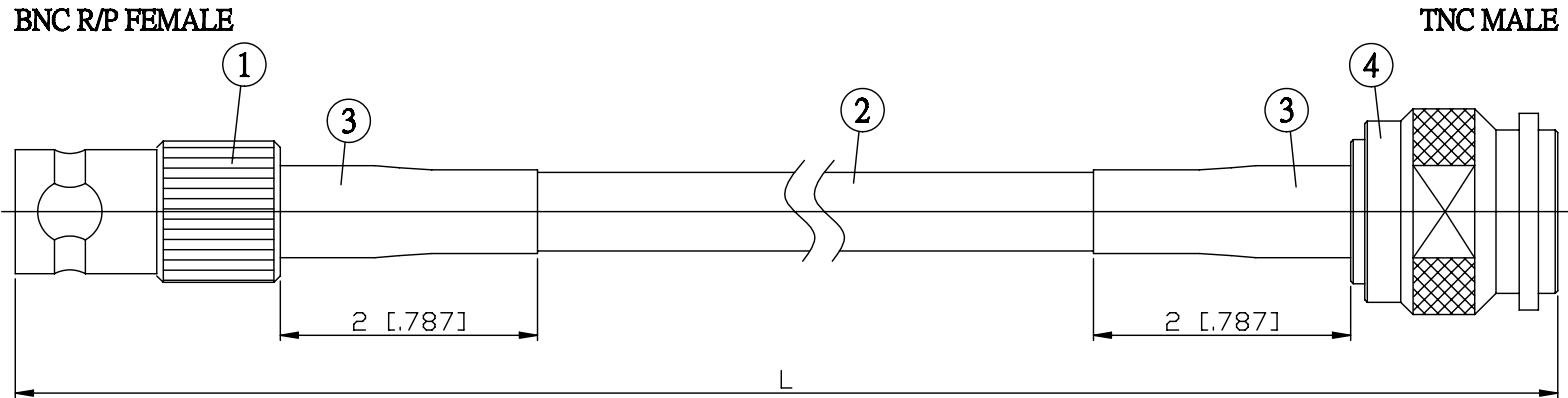


NO.	COMPONENTS	IMPEDANCE
1	BNC REVERSE POLARITY FEMALE	50 OHM
2	JBY240	50 OHM
3	HEAT SHRINKING TUBE	
4	TNC MALE	50 OHM



JYE BAO P/N	L CM (INCH)
B90T30-L240-15	15 (5.906)
B90T30-L240-30	30 (11.811)
B90T30-L240-50	50 (19.685)
B90T30-L240-100	100 (39.370)
B90T30-L240-150	150 (59.055)
B90T30-L240-200	200 (78.740)
B90T30-L240-XXX	CUSTOM LENGTH IN CM

LENGTH TOLERANCE IS ±1.5% OR ±10MM, WHICHEVER IS GREATER.	JYE BAO CO., LTD. TAIPEI TAIWAN
	DESCRIPTION CABLE ASSEMBLY BNC R/P JACK TO TNC PLUG
	JYE BAO DRAWING NO. B90T30-L240-XXX