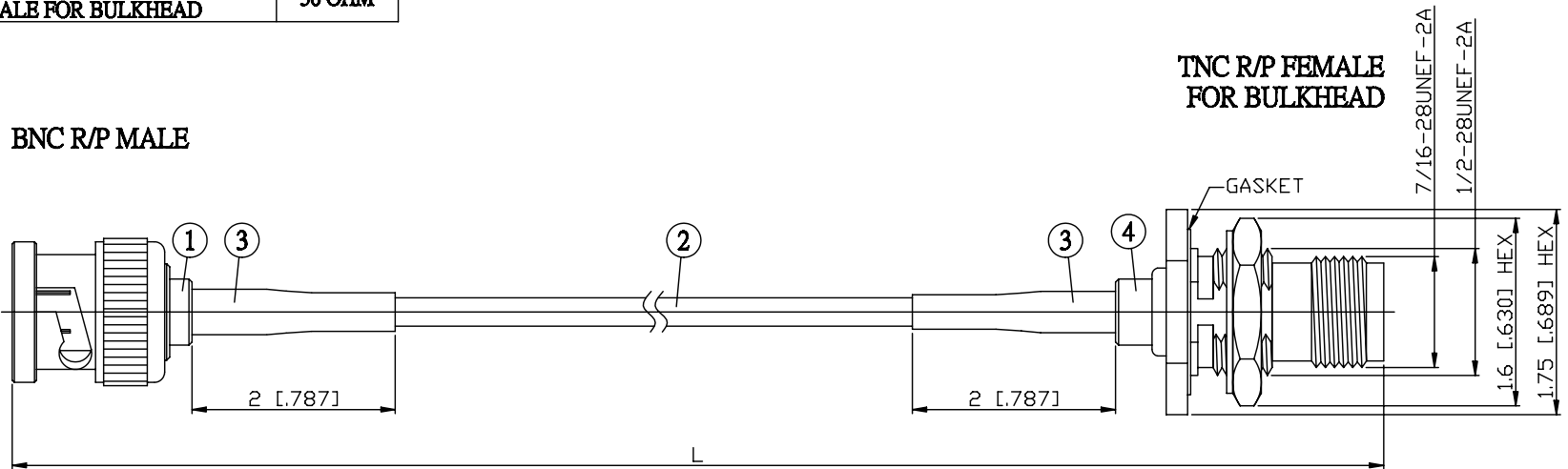
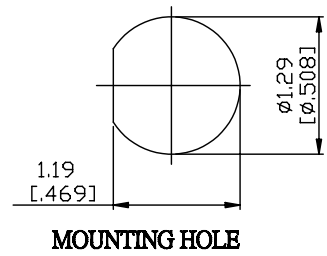


NO.	COMPONENTS	IMPEDANCE
1	BNC REVERSE POLARITY MALE	50 OHM
2	JBY100	50 OHM
3	HEAT SHRINKING TUBE	
4	TNC REVERSE POLARITY FEMALE FOR BULKHEAD	50 OHM



JYE BAO P/N	L CM (INCH)
B60T95-L100-15	15 (5.906)
B60T95-L100-30	30 (11.811)
B60T95-L100-50	50 (19.685)
B60T95-L100-100	100 (39.370)
B60T95-L100-150	150 (59.055)
B60T95-L100-200	200 (78.740)
B60T95-L100-XXX	CUSTOM LENGTH IN CM



<b>LENGTH TOLERANCE IS <math>\pm 1.5\%</math> OR <math>\pm 10\text{MM}</math>, WHICHEVER IS GREATER.</b>	<b>JYE BAO CO., LTD.</b> TAIPEI TAIWAN
	<b>DESCRIPTION</b> CABLE ASSEMBLY BNC R/P PLUG TO TNC R/P JACK FOR BULKHEAD
	<b>JYE BAO DRAWING NO.</b> B60T95-L100-XXX