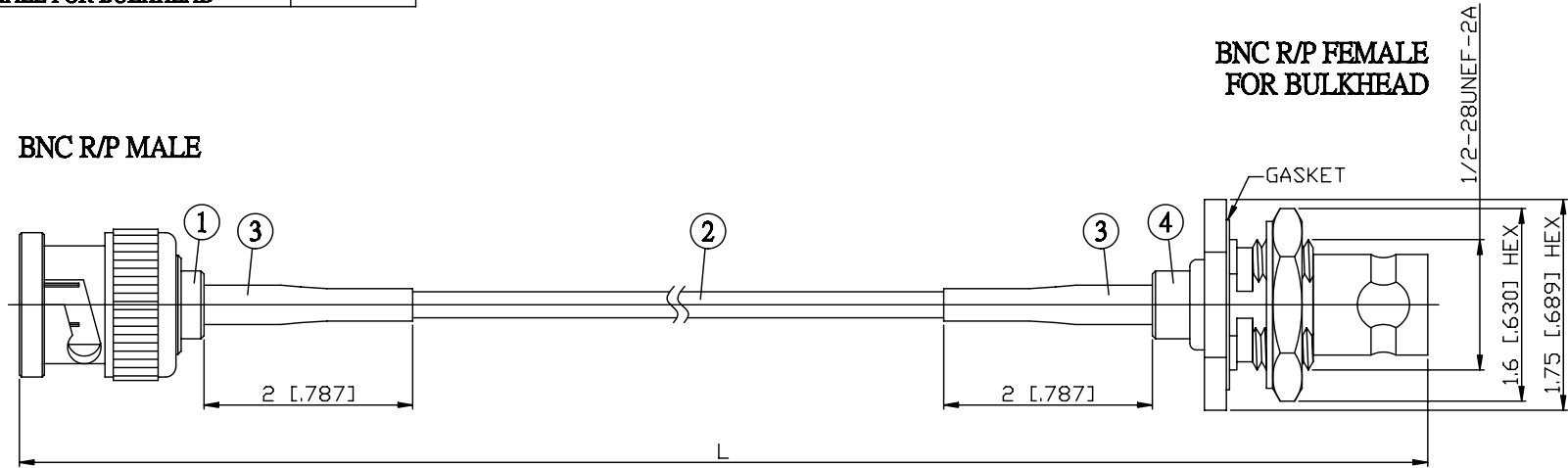


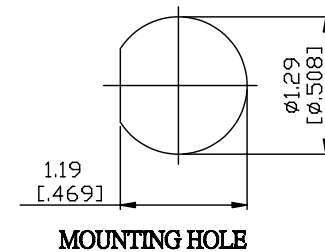
NO.	COMPONENTS	IMPEDANCE
1	BNC REVERSE POLARITY MALE	50 OHM
2	RG316	50 OHM
3	HEAT SHRINKING TUBE	
4	BNC REVERSE POLARITY FEMALE FOR BULKHEAD	50 OHM

BNC R/P MALE

BNC R/P FEMALE FOR BULKHEAD



JYE BAO P/N	L CM (INCH)
B60B95-316-15	15 (5.906)
B60B95-316-30	30 (11.811)
B60B95-316-50	50 (19.685)
B60B95-316-100	100 (39.370)
B60B95-316-150	150 (59.055)
B60B95-316-200	200 (78.740)
B60B95-316-XXX	CUSTOM LENGTH IN CM



LENGTH TOLERANCE IS ±1.5% OR ±10MM, WHICHEVER IS GREATER.	JYE BAO CO., LTD. TAIPEI TAIWAN
	DESCRIPTION CABLE ASSEMBLY BNC R/P PLUG TO BNC R/P JACK FOR BULKHEAD
	JYE BAO DRAWING NO. B60B95-316-XXX