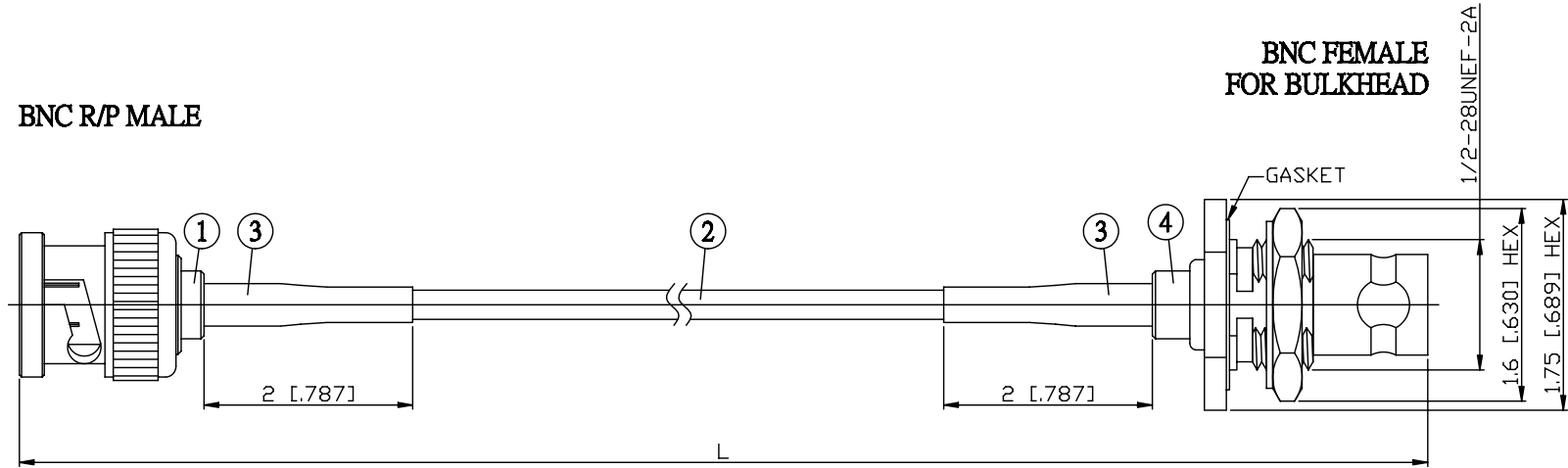
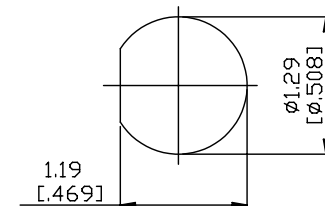


NO.	COMPONENTS	IMPEDANCE
1	BNC REVERSE POLARITY MALE	50 OHM
2	JBY100	50 OHM
3	HEAT SHRINKING TUBE	
4	BNC FEMALE FOR BULKHEAD	50 OHM

BNC R/P MALE



JYE BAO P/N	L CM (INCH)
B60B85-L100-15	15 (5.906)
B60B85-L100-30	30 (11.811)
B60B85-L100-50	50 (19.685)
B60B85-L100-100	100 (39.370)
B60B85-L100-150	150 (59.055)
B60B85-L100-200	200 (78.740)
B60B85-L100-XXX	CUSTOM LENGTH IN CM



MOUNTING HOLE

<p>LENGTH TOLERANCE IS $\pm 1.5\%$ OR $\pm 10\text{MM}$, WHICHEVER IS GREATER.</p>	<p>JYE BAO CO., LTD. TAIPEI TAIWAN</p>
	<p>DESCRIPTION CABLE ASSEMBLY BNC R/P PLUG TO BNC JACK FOR BULKHEAD</p>
	<p>JYE BAO DRAWING NO. B60B85-L100-XXXX</p>