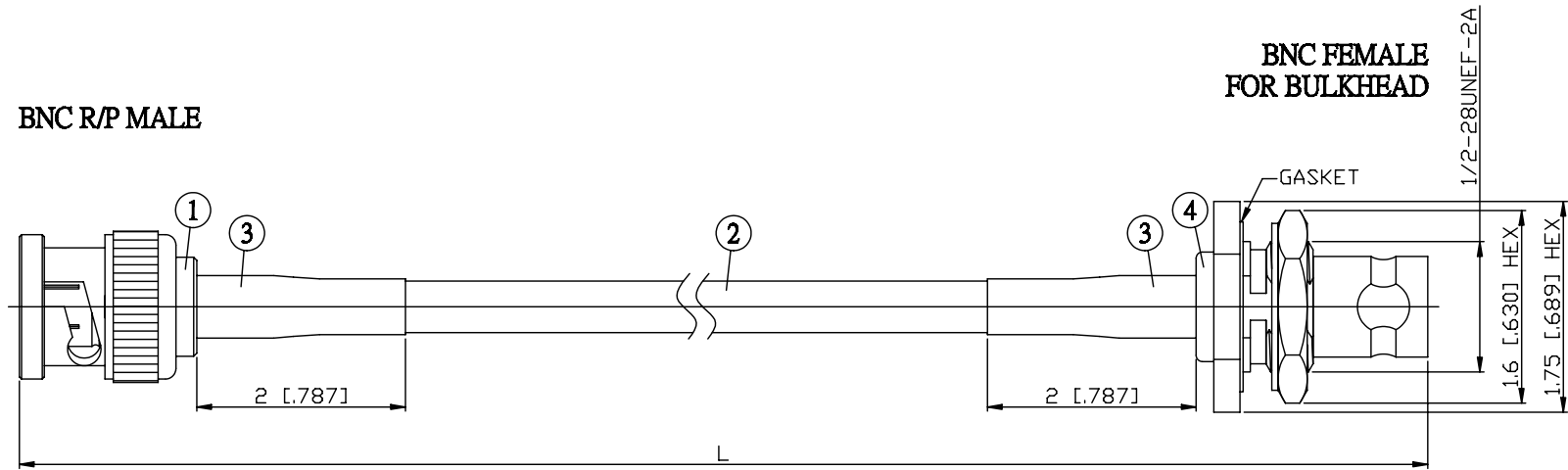
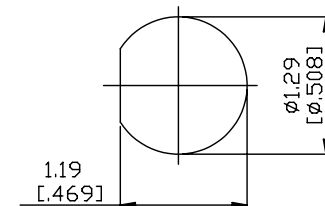


| NO. | COMPONENTS | IMPEDANCE |
|-----|---------------------------|-----------|
| 1 | BNC REVERSE POLARITY MALE | 50 OHM |
| 2 | RG58 | 50 OHM |
| 3 | HEAT SHRINKING TUBE | |
| 4 | BNC FEMALE FOR BULKHEAD | 50 OHM |

BNC R/P MALE



| JYE BAO P/N | L CM (INCH) |
|---------------|------------------------|
| B60B85-58-15 | 15 (5.906) |
| B60B85-58-30 | 30 (11.811) |
| B60B85-58-50 | 50 (19.685) |
| B60B85-58-100 | 100 (39.370) |
| B60B85-58-150 | 150 (59.055) |
| B60B85-58-200 | 200 (78.740) |
| B60B85-58-XXX | CUSTOM LENGTH IN CM |



MOUNTING HOLE

| | |
|--|---|
| <p>LENGTH TOLERANCE IS $\pm 1.5\%$ OR $\pm 10\text{MM}$, WHICHEVER IS GREATER.</p> | <p>JYE BAO CO., LTD. TAIPEI TAIWAN</p> |
| | <p>DESCRIPTION CABLE ASSEMBLY BNC R/P PLUG TO BNC JACK FOR BULKHEAD</p> |
| | <p>JYE BAO DRAWING NO. B60B85-58-XXX</p> |