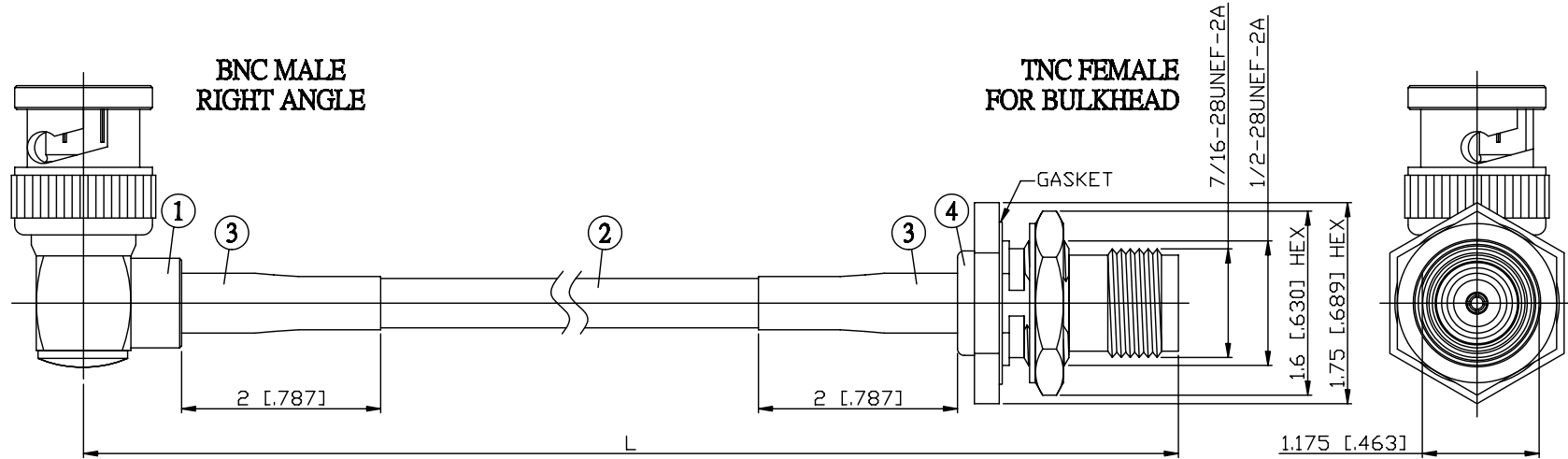
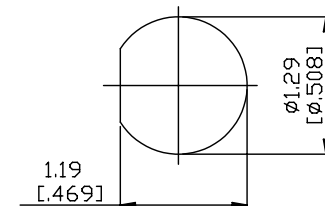


NO.	COMPONENTS	IMPEDANCE
1	BNC MALE RIGHT ANGLE	50 OHM
2	JBY195	50 OHM
3	HEAT SHRINKING TUBE	
4	TNC FEMALE FOR BULKHEAD	50 OHM



JYE BAO P/N	L CM (INCH)
B39T85-L195-15	15 (5.906)
B39T85-L195-30	30 (11.811)
B39T85-L195-50	50 (19.685)
B39T85-L195-100	100 (39.370)
B39T85-L195-150	150 (59.055)
B39T85-L195-200	200 (78.740)
B39T85-L195-XXX	CUSTOM LENGTH IN CM



MOUNTING HOLE

<p>LENGTH TOLERANCE IS <math>\pm 1.5\%</math> OR <math>\pm 10\text{MM}</math>, WHICHEVER IS GREATER.</p>	<p><b>JYE BAO CO., LTD.</b></p> <p>TAIPEI TAIWAN</p>
	<p>DESCRIPTION CABLE ASSEMBLY BNC PLUG R/A TO TNC JACK FOR BULKHEAD</p>
	<p>JYE BAO DRAWING NO. B39T85-L195-XXX</p>