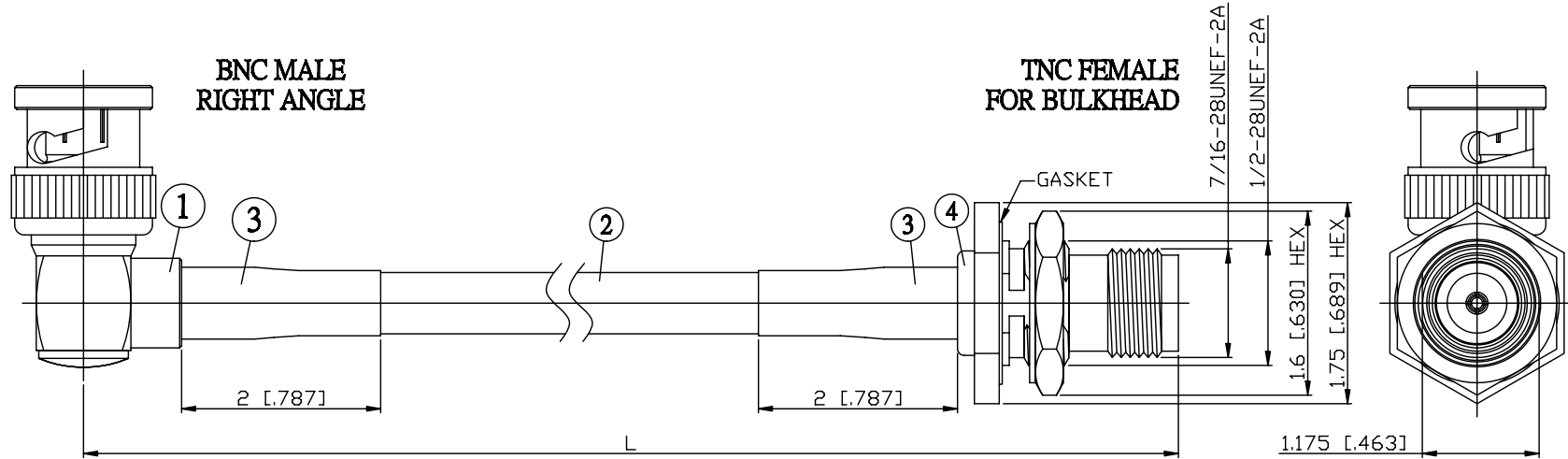
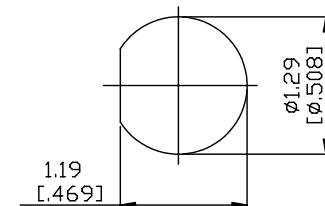


| NO. | COMPONENTS | IMPEDANCE |
|-----|-------------------------|-----------|
| 1 | BNC MALE RIGHT ANGLE | 75 OHM |
| 2 | RG59 | 75 OHM |
| 3 | HEAT SHRINKING TUBE | |
| 4 | TNC FEMALE FOR BULKHEAD | 75 OHM |



| JYE BAO P/N | L CM (INCH) |
|---------------|------------------------|
| B39T85-59-15 | 15 (5.906) |
| B39T85-59-30 | 30 (11.811) |
| B39T85-59-50 | 50 (19.685) |
| B39T85-59-100 | 100 (39.370) |
| B39T85-59-150 | 150 (59.055) |
| B39T85-59-200 | 200 (78.740) |
| B39T85-59-XXX | CUSTOM LENGTH IN CM |



MOUNTING HOLE

| | |
|---|---|
| LENGTH TOLERANCE IS $\pm 1.5\%$ OR $\pm 10\text{MM}$, WHICHEVER IS GREATER. | JYE BAO CO., LTD. TAIPEI TAIWAN |
| | DESCRIPTION CABLE ASSEMBLY BNC PLUG R/A TO TNC JACK FOR BULKHEAD |
| | JYE BAO DRAWING NO. B39T85-59-XXX |