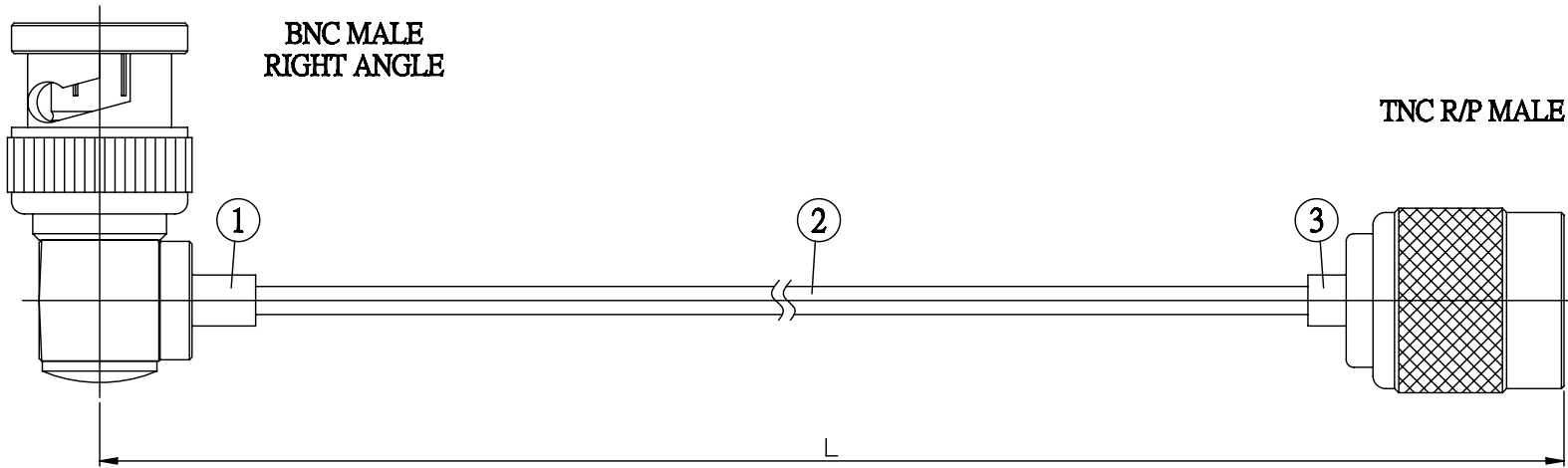


| NO. | COMPONENTS | IMPEDANCE |
|-----|---|-----------|
| 1 | BNC MALE RIGHT ANGLE | 50 OHM |
| 2 | .085" HANDBENDABLE CABLE (= JYEBAO P/N .085SRF-W-P-50) | 50 OHM |
| 3 | TNC REVERSE POLARITY MALE | 50 OHM |



| JYE BAO P/N | L CM (INCH) |
|----------------|------------------------|
| B39T60-85S-15 | 15 (5.906) |
| B39T60-85S-30 | 30 (11.811) |
| B39T60-85S-50 | 50 (19.685) |
| B39T60-85S-100 | 100 (39.370) |
| B39T60-85S-150 | 150 (59.055) |
| B39T60-85S-200 | 200 (78.740) |
| B39T60-85S-XXX | CUSTOM LENGTH IN CM |

| | |
|---|--|
| LENGTH TOLERANCE IS $\pm 1.5\%$ OR $\pm 10\text{MM}$, WHICHEVER IS GREATER. | JYE BAO CO., LTD. TAIPEI TAIWAN |
| | DESCRIPTION CABLE ASSEMBLY BNC PLUG R/A TO TNC R/P PLUG |
| | JYE BAO DRAWING NO. B39T60-85S-XXX |