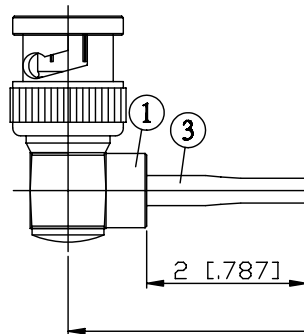
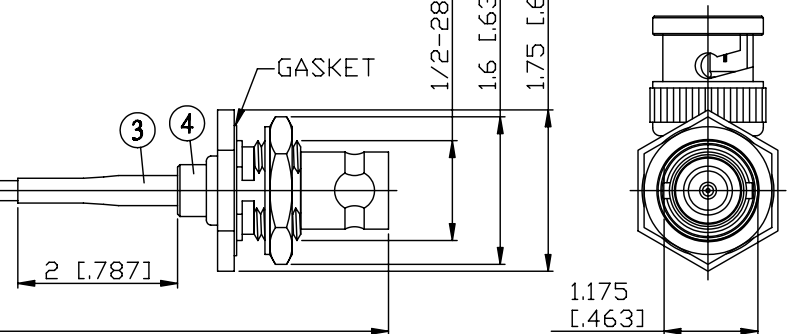


NO.	COMPONENTS	IMPEDANCE
1	BNC MALE RIGHT ANGLE	50 OHM
2	RG316	50 OHM
3	HEAT SHRINKING TUBE	
4	BNC REVERSE POLARITY FEMALE FOR BULKHEAD	50 OHM

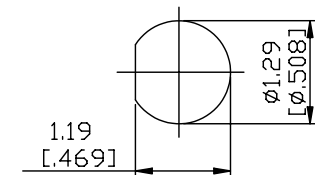
BNC MALE
RIGHT ANGLE



BNC R/P FEMALE
FOR BULKHEAD



JYE BAO P/N	L CM (INCH)
B39B95-316-15	15 (5.906)
B39B95-316-30	30 (11.811)
B39B95-316-50	50 (19.685)
B39B95-316-100	100 (39.370)
B39B95-316-150	150 (59.055)
B39B95-316-200	200 (78.740)
B39B95-316-XXX	CUSTOM LENGTH IN CM



MOUNTING HOLE

<p>LENGTH TOLERANCE IS $\pm 1.5\%$ OR $\pm 10\text{MM}$, WHICHEVER IS GREATER.</p>	<p>JYE BAO CO., LTD.</p> <p>TAIPEI TAIWAN</p>
	<p>DESCRIPTION CABLE ASSEMBLY BNC PLUG R/A TO BNC R/P JACK FOR BULKHEAD</p>
	<p>JYE BAO DRAWING NO. B39B95-316-XXX</p>