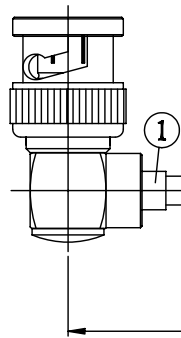
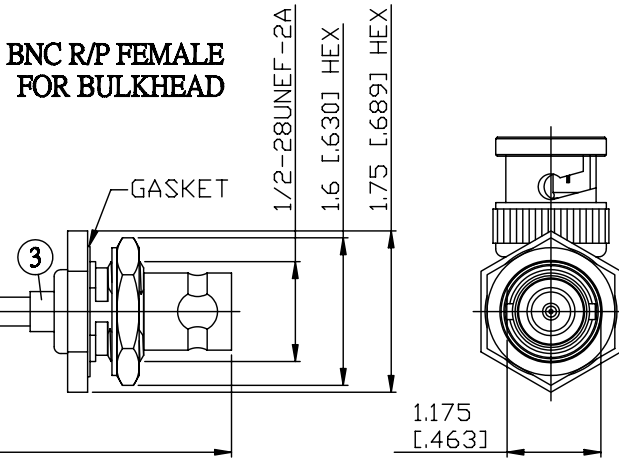


NO.	COMPONENTS	IMPEDANCE
1	BNC MALE RIGHT ANGLE	50 OHM
2	.141" TIN PLATED SEMI-RIGID CABLE (TIN PLATED RG402)	50 OHM
3	BNC REVERSE POLARITY FEMALE FOR BULKHEAD	50 OHM

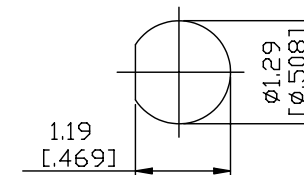
BNC MALE RIGHT ANGLE



BNC R/P FEMALE FOR BULKHEAD



JYE BAO P/N	L CM (INCH)
B39B95-141T-15	15 (5.906)
B39B95-141T-30	30 (11.811)
B39B95-141T-50	50 (19.685)
B39B95-141T-100	100 (39.370)
B39B95-141T-150	150 (59.055)
B39B95-141T-200	200 (78.740)
B39B95-141T-XXX	CUSTOM LENGTH IN CM



MOUNTING HOLE

<p>LENGTH TOLERANCE IS <math>\pm 1.5\%</math> OR <math>\pm 10\text{MM}</math>, WHICHEVER IS GREATER.</p>	<p><b>JYE BAO CO., LTD.</b></p> <p>TAIPEI TAIWAN</p>
	<p>DESCRIPTION CABLE ASSEMBLY BNC PLUG R/A TO BNC JACK FOR BULKHEAD</p>
	<p>JYE BAO DRAWING NO. B39B95-141T-XXX</p>