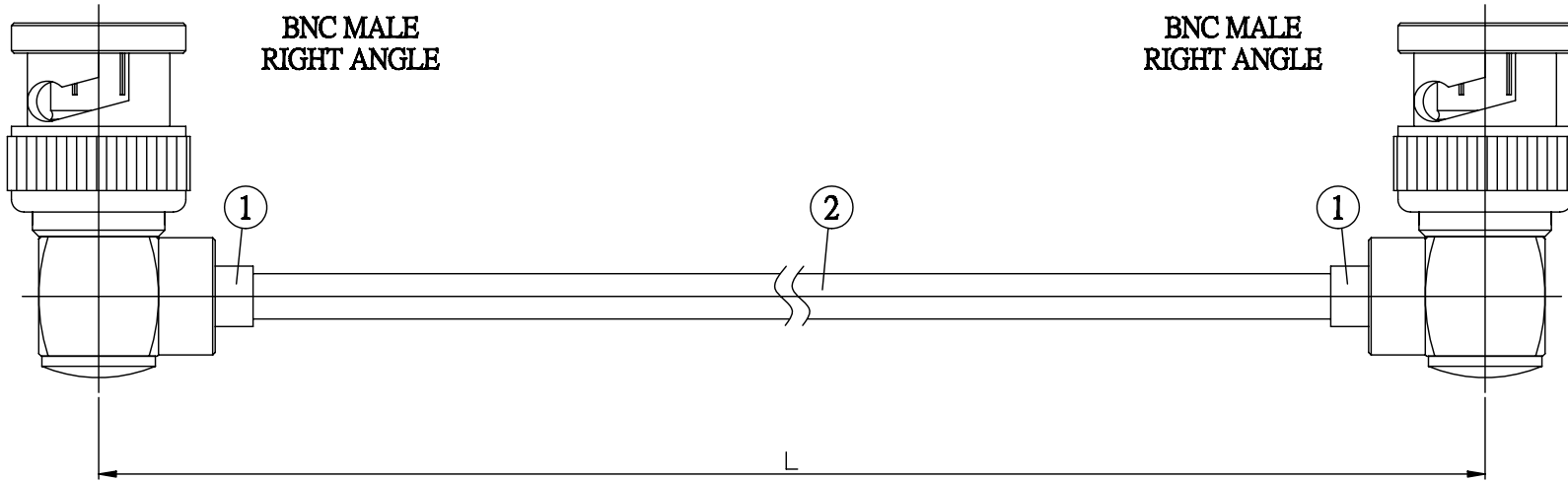


| NO. | COMPONENTS  | IMPEDANCE |
|-----|---|-----------|
| 1   | BNC MALE RIGHT ANGLE                                      | 50 OHM    |
| 2   | .141" HANDBENDABLE CABLE<br>(= JYEBAO P/N .141SRF-W-P-50) | 50 OHM    |



| JYE BAO P/N     | L<br>CM (INCH)         |
|-----------------|------------------------|
| B39B39-141S-15  | 15 (5.906)             |
| B39B39-141S-30  | 30 (11.811)            |
| B39B39-141S-50  | 50 (19.685)            |
| B39B39-141S-100 | 100 (39.370)           |
| B39B39-141S-150 | 150 (59.055)           |
| B39B39-141S-200 | 200 (78.740)           |
| B39B39-141S-XXX | CUSTOM<br>LENGTH IN CM |

|   |   |
|---|---|
| LENGTH TOLERANCE<br>IS $\pm 1.5\%$ OR $\pm 10\text{MM}$ ,<br>WHICHEVER IS<br>GREATER. | <b>JYE BAO CO., LTD.</b><br>TAIPEI TAIWAN                                 |
|   | <small>DESCRIPTION</small><br>CABLE ASSEMBLY BNC PLUG R/A TO BNC PLUG R/A |
|   | <small>JYE BAO DRAWING NO.</small><br>B39B39-141S-XXX                     |