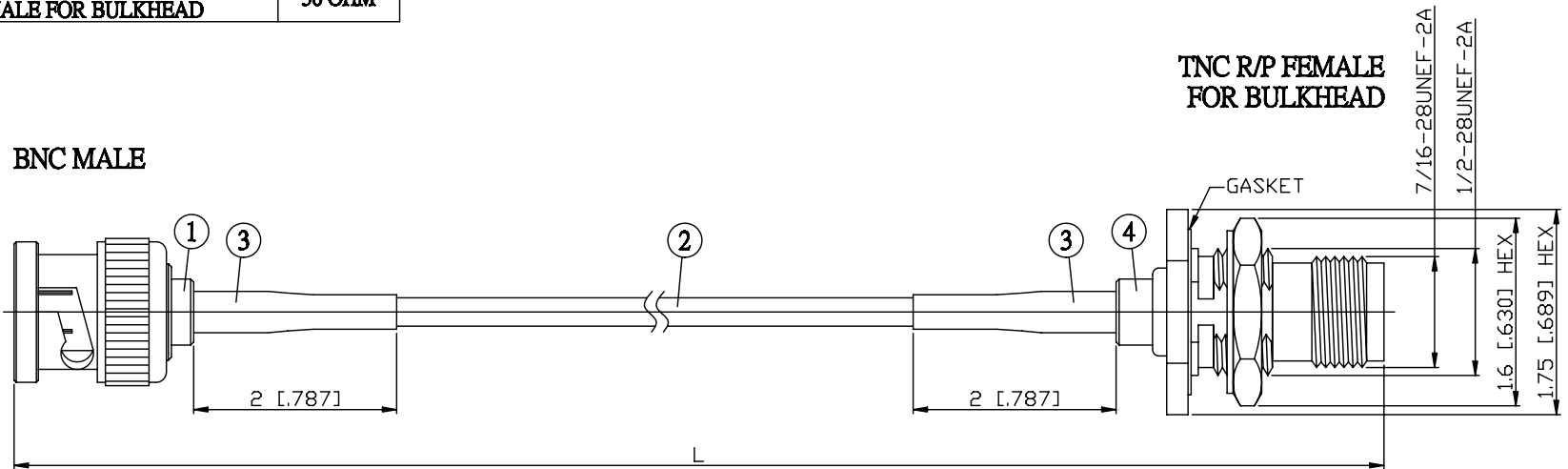
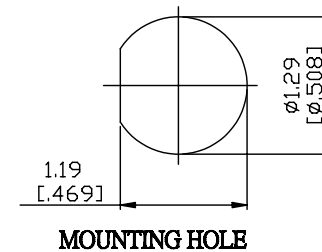


NO.	COMPONENTS	IMPEDANCE
1	BNC MALE	50 OHM
2	RG174	50 OHM
3	HEAT SHRINKING TUBE	
4	TNC REVERSE POLARITY FEMALE FOR BULKHEAD	50 OHM



JYE BAO P/N	L CM (INCH)
B30T95-174-15	15 (5.906)
B30T95-174-30	30 (11.811)
B30T95-174-50	50 (19.685)
B30T95-174-100	100 (39.370)
B30T95-174-150	150 (59.055)
B30T95-174-200	200 (78.740)
B30T95-174-XXX	CUSTOM LENGTH IN CM



LENGTH TOLERANCE IS $\pm 1.5\%$ OR $\pm 10\text{MM}$ , WHICHEVER IS GREATER.	<b>JYE BAO CO., LTD.</b> TAIPEI TAIWAN
	DESCRIPTION CABLE ASSEMBLY BNC PLUG TO TNC R/P JACK FOR BULKHEAD
	JYE BAO DRAWING NO. B30T95-174-XXX