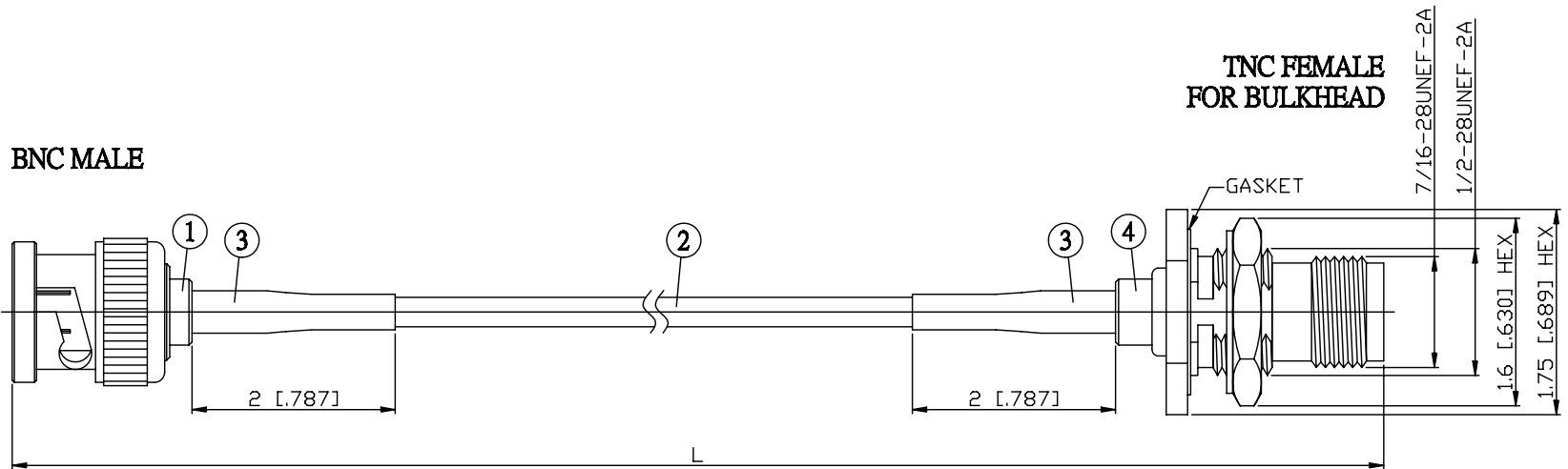
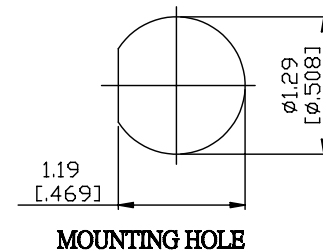


NO.	COMPONENTS	IMPEDANCE
1	BNC MALE	50 OHM
2	DOUBLE SHIELDED RG316(= RD316)	50 OHM
3	HEAT SHRINKING TUBE	
4	TNC FEMALE FOR BULKHEAD	50 OHM



JYE BAO P/N	L CM (INCH)
B30T85-316D-15	15 (5.906)
B30T85-316D-30	30 (11.811)
B30T85-316D-50	50 (19.685)
B30T85-316D-100	100 (39.370)
B30T85-316D-150	150 (59.055)
B30T85-316D-200	200 (78.740)
B30T85-316D-XXX	CUSTOM LENGTH IN CM



<b>LENGTH TOLERANCE IS ±1.5% OR ±10MM, WHICHEVER IS GREATER.</b>	<b>JYE BAO CO., LTD.</b> TAIPEI TAIWAN
	<b>DESCRIPTION</b> CABLE ASSEMBLY BNC PLUG TO TNC JACK FOR BULKHEAD
	<b>JYE BAO DRAWING NO.</b> B30T85-316D-XXX