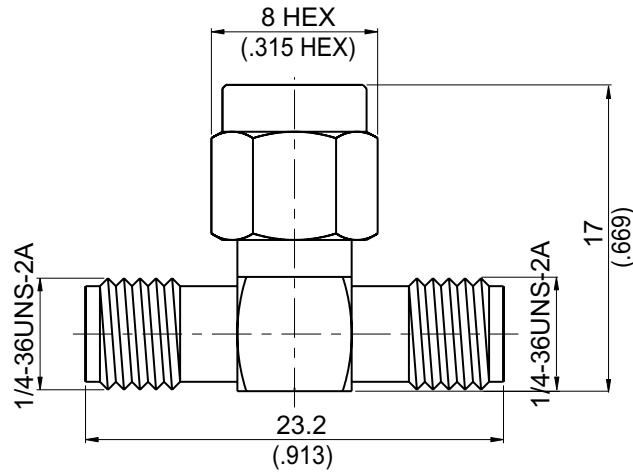


ATSG-A8A3A8

Gold Plated Stainless SMA Jack To SMA Plug To SMA Jack 50Ω



NOTE: 50 Ω nominal impedance. This connector is a non-matched 3 dB divider for low frequency applications. VSWR ≥ 2.0 when terminated 50 Ω.

Parts	Material	Plating (Micro-inch)
Cover	Brass	Gold 5 Over Nickel 50 Over Copper 50
Renbrock Ring	Beryllium Copper	Gold 5 Over Nickel 50 Over Copper 50
Gasket	Silicon	
Contact Pin(Plug)	Brass	Gold 10 Over Nickel 50 Over Copper 50
Contact Pin(Jack)	Beryllium Copper	Gold 10 Over Nickel 50 Over Copper 50
Insulator	Teflon	
Body	Stainless	Gold 5 Over Nickel 50 Over Copper 50
Coupling Nut	Stainless	Gold 5 Over Nickel 50 Over Copper 50

Weight: 5.41 g

This part number complies with RoHS.

Notice: JYEBAO reserves the right to make modifications deemed appropriate.