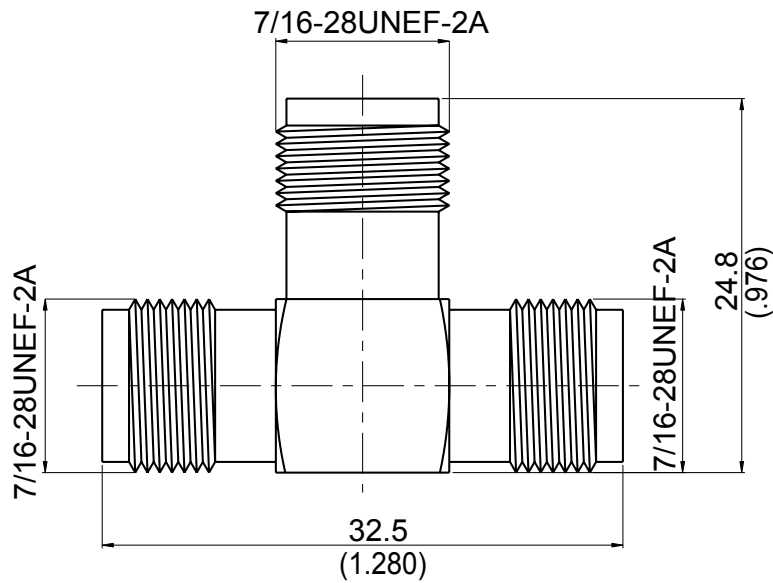


AT-T8T8T8

TNC Jack To TNC Jack To TNC Jack

50Ω



NOTE:

50 Ω nominal impedance.

This connector is a non-matched 3 dB divider for low frequency applications.

VSWR ≥ 2.0 when terminated 50Ω.

Parts	Material	Plating (Micro-inch)
Lock Washer	Brass	Tin-Zinc-Copper-Alloy 100 Over Copper 50
Body	Brass	Tin-Zinc-Copper-Alloy 100 Over Copper 50
Contact Pin	Phosphor Bronze	Gold 4 Over Nickel-Phosphorus Alloy 80 Over Copper 20
Insulator	Teflo	
Contact Body	Brass	Tin-Zinc-Copper-Alloy 100 Over Copper 50

Weight:

This part number complies with RoHS.

Notice: JYEBAO reserves the right to make modifications deemed appropriate.