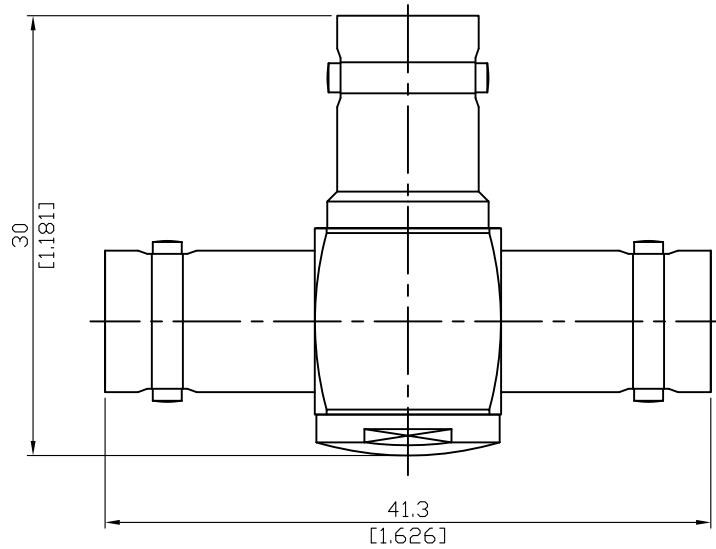


AT-H8H8H8

MHV Jack to MHV Jack to MHV Jack

50Ω



Dielectric withstanding voltage (at sea level): 5000 V rms  
 Working Voltage (at sea level): 1600 V rms

Parts	Material	Plating ( Micro-inch )
Body	Brass	Tin-Zinc-Copper-Alloy 100 Over Copper 50
Insulator	Teflon	
Contact Pin	Beryllium Copper	Gold 4 Over Nickel-Phosphorus Alloy 80 Over Copper 20
Gasket	Silicone	
Nut	Brass	Tin-Zinc-Copper-Alloy 100 Over Copper 50

This part number complies with RoHS.

Notice: JYEBAO reserves the right to make modifications deemed appropriate.