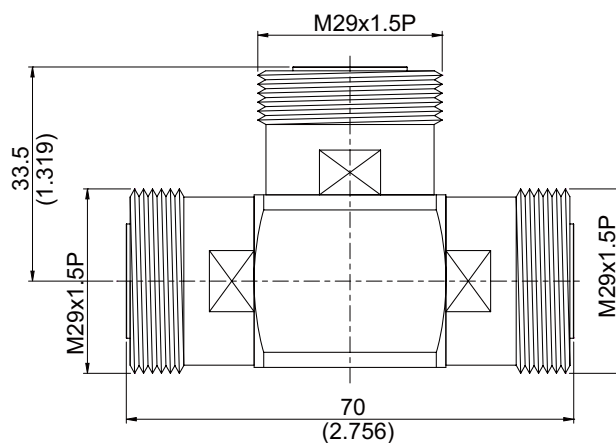


AT-DI8DI8DI8/NI

7/16 Jack To 7/16 Jack To 7/16 Jack 50Ω



Operating Temp : -40° C/+125° C

NOTE: T-adaptor is a non-matched 3 dB divider for low frequency applications.

VSWR ≥ 2.0 when terminated 50 Ω.

Parts	Material	Plating (Micro-inch)
Contact Pin	Phosphor Bronze	Silver 150 Over Copper 50
Insulator	Teflon	
Body	Brass	Nickel 200 over Copper 50

Weight:

This part number complies with RoHS.

Notice: JYEBAO reserves the right to make modifications deemed appropriate.