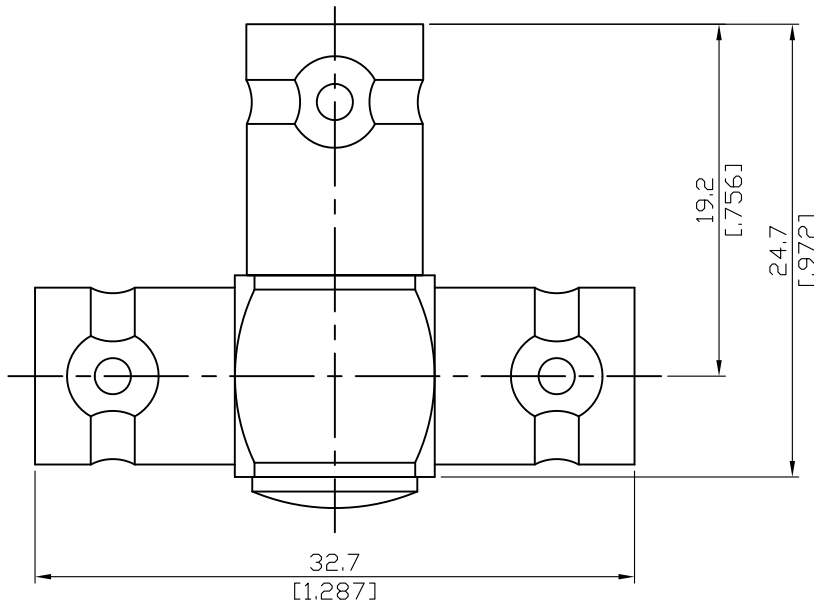


AT-B8B8B8	BNC Jack to BNC Jack to BNC Jack	50Ω
-----------	----------------------------------	-----



Note:

50Ω nominal impedance.

This connector is a non-matched 3dB divider for low frequency applications.

VSWR \geq 2.0 when terminated 50Ω

Parts	Material	Plating (Micro-inch)
Lock Washer	Brass	Tin-Zinc-Copper-Alloy 100 Over Copper 50
Contact Pin	Phosphor Bronze	Gold 4 Over Nickel-Phosphorus Alloy 80 Over Copper 20
Insulator	Teflon	
Contact Body	Brass	Tin-Zinc-Copper-Alloy 100 Over Copper 50
Body	Brass	Tin-Zinc-Copper-Alloy 100 Over Copper 50

Weight: 14.89 g	
-----------------	--

This part number complies with RoHS.

Notice: JYEBAO reserves the right to make modifications deemed appropriate.