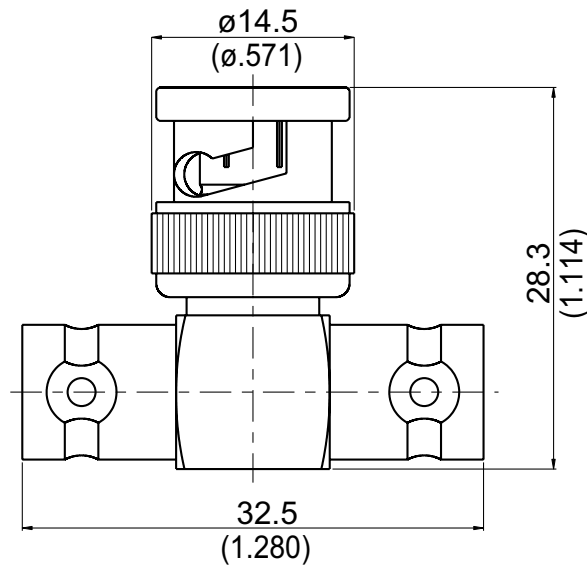


AT-B8B3B8

BNC Jack To BNC Plug To BNC Jack 50Ω



NOTE: 50 Ω nominal impedance. This connector is a non-matched 3 dB divider for low frequency applications. VSWR ≥ 2.0 when terminated 50 Ω.

Parts	Material	Plating (Micro-inch)
Lock Washer	Brass	Tin-Zinc-Copper-Alloy 100 Over Copper 50
Center Pin(Plug)	Brass	Gold 10 Over Nickel 50 Over Copper 50
Contact Pin(Jack)	Phosphor Bronze	Gold 10 Over Nickel 50 Over Copper 50
Gasket	Silicon	
Spring	SK 5	Tin-Zinc-Copper-Alloy 100 Over Copper 50
Washer	Brass	Tin-Zinc-Copper-Alloy 100 Over Copper 50
Insulator	Teflon	
Contact Body	Brass	Tin-Zinc-Copper-Alloy 100 Over Copper 50
Body	Brass	Tin-Zinc-Copper-Alloy 100 Over Copper 50
Coupling Nut	Brass	Tin-Zinc-Copper-Alloy 100 Over Copper 50

Weight: 21.24 g

This part number complies with RoHS.

Notice: JYEBAO reserves the right to make modifications deemed appropriate.