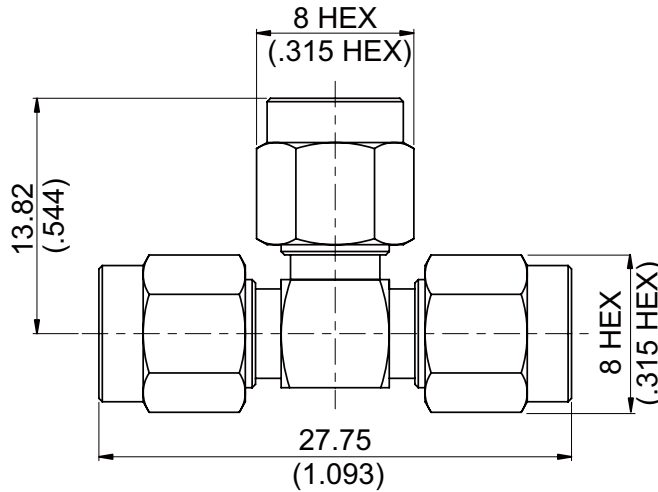


AT-A3A3A3	SMA PLUG TO SMA PLUG TO SMA PLUG	50Ω
-----------	---	------------



NOTE: 50 Ω nominal impedance. This connector is a non-matched 3 dB divider for low frequency applications. VSWR ≥ 2.0 when terminated 50 Ω.

Parts	Material	Plating (Micro-inch)
Insulator	Teflon	
Cover	Brass	Gold 5 Over Nickel 50 Over Copper 50
Renbrock Ring	Beryllium Copper	Tin-Zinc-Copper-Alloy 100 Over Copper 50
Gasket	Silicon	
Contact Pin	Brass	Gold 10 Over Nickel 50 Over Copper 50
Body	Brass	Gold 5 Over Nickel 50 Over Copper 50
Coupling Nut	Brass	Gold 5 Over Nickel 50 Over Copper 50

Weight: 8.3 g

This part number complies with RoHS.

Notice: JYEBAO reserves the right to make modifications deemed appropriate.