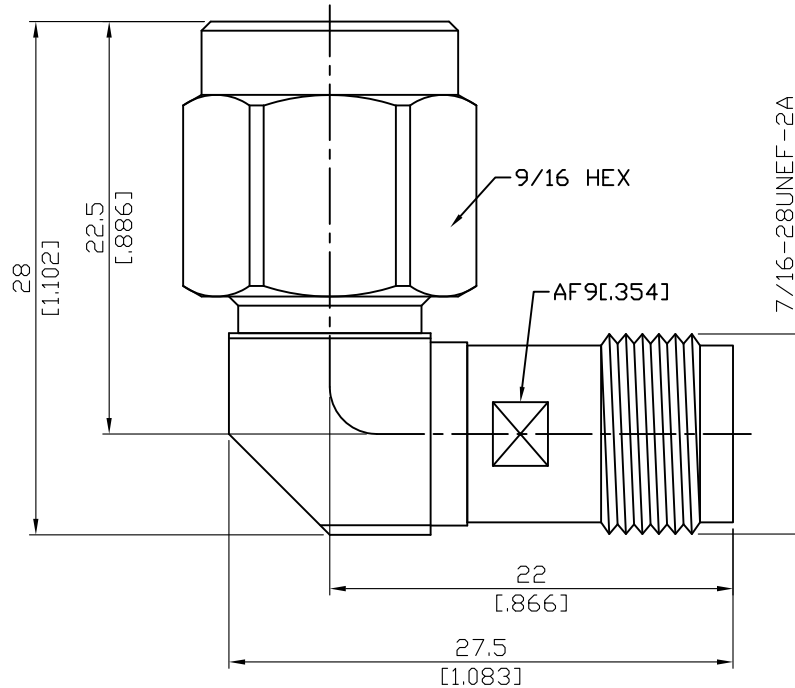


ALS-T3T8-18-1.2

Mitered TNC Plug To TNC Jack
18GHz VSWR 1.2

50Ω



Parts	Material	Plating (Micro-inch)
Ferrule	Brass	Tin-Zinc-Copper-Alloy 100 Over Copper 50
Retainer Ring	P.Bronze	Tin-Zinc-Copper-Alloy 100 Over Copper 50
Gasket	Silicone	
Contact Pin	Beryllium Copper	Gold 4 Over Nickel-Phosphorus Alloy 80 Over Copper 20
Insulator	Teflon	
Body	Stainless Steel	Passivated
Coupling Nut	Stainless Steel	Passivated

This part number complies with RoHS.

Notice: JYEBAO reserves the right to make modifications deemed appropriate.

ALS-T3T8-18-1.2	Mitered TNC Plug To TNC Jack 18GHz VSWR 1.2																
<table border="0"> <tr> <td data-bbox="129 342 531 394">Interface</td> <td></td> </tr> <tr> <td data-bbox="129 394 531 533">Standard</td> <td data-bbox="531 394 1481 533">MIL-STD-348B</td> </tr> </table>		Interface		Standard	MIL-STD-348B												
Interface																	
Standard	MIL-STD-348B																
<table border="0"> <tr> <td data-bbox="129 557 531 609">Electrical Data</td> <td></td> </tr> <tr> <td data-bbox="129 609 531 660">Impedance</td> <td data-bbox="531 609 1481 660">50Ω</td> </tr> <tr> <td data-bbox="129 660 531 712">Frequency Range</td> <td data-bbox="531 660 1481 712">DC to 18GHz</td> </tr> <tr> <td data-bbox="129 712 531 763">VSWR</td> <td data-bbox="531 712 1481 763">≤ 1.2 (DC To 18GHz)</td> </tr> <tr> <td data-bbox="129 763 531 815">Insertion Loss</td> <td data-bbox="531 763 1481 815">≤ 0.07 x √f(GHz) dB</td> </tr> <tr> <td data-bbox="129 815 531 866">Insulation Resistance</td> <td data-bbox="531 815 1481 866">≥ 5000MΩ</td> </tr> <tr> <td data-bbox="129 866 531 918">Dielectric Withstanding Voltage (at sea level)</td> <td data-bbox="531 866 1481 918">1500 V rms</td> </tr> <tr> <td data-bbox="129 918 531 969">Working Voltage (at sea level)</td> <td data-bbox="531 918 1481 969">500 V rms</td> </tr> </table>		Electrical Data		Impedance	50Ω	Frequency Range	DC to 18GHz	VSWR	≤ 1.2 (DC To 18GHz)	Insertion Loss	≤ 0.07 x √f(GHz) dB	Insulation Resistance	≥ 5000MΩ	Dielectric Withstanding Voltage (at sea level)	1500 V rms	Working Voltage (at sea level)	500 V rms
Electrical Data																	
Impedance	50Ω																
Frequency Range	DC to 18GHz																
VSWR	≤ 1.2 (DC To 18GHz)																
Insertion Loss	≤ 0.07 x √f(GHz) dB																
Insulation Resistance	≥ 5000MΩ																
Dielectric Withstanding Voltage (at sea level)	1500 V rms																
Working Voltage (at sea level)	500 V rms																
<table border="0"> <tr> <td data-bbox="129 1055 531 1106">Mechanical Data</td> <td></td> </tr> <tr> <td data-bbox="129 1106 531 1158">Recommended Coupling Nut Torque</td> <td data-bbox="531 1106 1481 1158">4.1 to 6.1 in-lbs</td> </tr> <tr> <td data-bbox="129 1158 531 1209">Coupling Proof Torque</td> <td data-bbox="531 1158 1481 1209">15 in-lbs</td> </tr> <tr> <td data-bbox="129 1209 531 1261">Coupling Nut Retention Force</td> <td data-bbox="531 1209 1481 1261">≥ 101.2 lbs</td> </tr> <tr> <td data-bbox="129 1261 531 1312">Contact Captivation-axial</td> <td data-bbox="531 1261 1481 1312">≥ 6.1 lbs</td> </tr> <tr> <td data-bbox="129 1312 531 1364">Durability (mating)</td> <td data-bbox="531 1312 1481 1364">≥ 500</td> </tr> </table>		Mechanical Data		Recommended Coupling Nut Torque	4.1 to 6.1 in-lbs	Coupling Proof Torque	15 in-lbs	Coupling Nut Retention Force	≥ 101.2 lbs	Contact Captivation-axial	≥ 6.1 lbs	Durability (mating)	≥ 500				
Mechanical Data																	
Recommended Coupling Nut Torque	4.1 to 6.1 in-lbs																
Coupling Proof Torque	15 in-lbs																
Coupling Nut Retention Force	≥ 101.2 lbs																
Contact Captivation-axial	≥ 6.1 lbs																
Durability (mating)	≥ 500																
<table border="0"> <tr> <td data-bbox="129 1453 531 1505">Environmental Data</td> <td></td> </tr> <tr> <td data-bbox="129 1505 531 1556">Temperature Range</td> <td data-bbox="531 1505 1481 1556">-65°C to +165°C</td> </tr> <tr> <td data-bbox="129 1556 531 1608">Thermal Shock</td> <td data-bbox="531 1556 1481 1608">MIL-STD-202, Method 107, Condition B</td> </tr> <tr> <td data-bbox="129 1608 531 1659">Moisture Resistance</td> <td data-bbox="531 1608 1481 1659">MIL-STD-202, Method 206</td> </tr> <tr> <td data-bbox="129 1659 531 1711">Corrosion</td> <td data-bbox="531 1659 1481 1711">MIL-STD-202, Method 101, Condition B</td> </tr> <tr> <td data-bbox="129 1711 531 1762">RoHS</td> <td data-bbox="531 1711 1481 1762">Compliant</td> </tr> </table>		Environmental Data		Temperature Range	-65°C to +165°C	Thermal Shock	MIL-STD-202, Method 107, Condition B	Moisture Resistance	MIL-STD-202, Method 206	Corrosion	MIL-STD-202, Method 101, Condition B	RoHS	Compliant				
Environmental Data																	
Temperature Range	-65°C to +165°C																
Thermal Shock	MIL-STD-202, Method 107, Condition B																
Moisture Resistance	MIL-STD-202, Method 206																
Corrosion	MIL-STD-202, Method 101, Condition B																
RoHS	Compliant																

Notice: JYEBAO reserves the right to make modifications deemed appropriate.

ALS-T3T8-18-1.2

