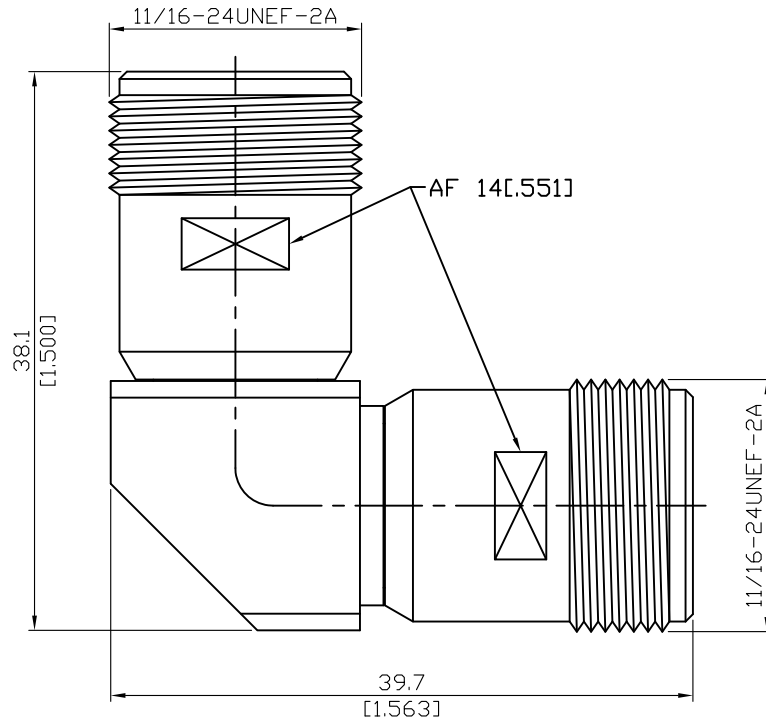


ALS-SC8SC8	SC Jack to SC Jack Right Angle 6GHz VSWR 1.2	50Ω
------------	---	-----



Parts	Material	Plating (Micro-inch)
Body	Stainless Steel	Passivated
Insulator	PTFE	
Contact Pin	Beryllium Copper	Gold 4 Over Nickel-Phosphorus Alloy 80 Over Copper 20

--	--

This part number complies with RoHS.

Notice: JYEBAO reserves the right to make modifications deemed appropriate.

ALS-SC8SC8	SC Jack to SC Jack Right Angle 6GHz VSWR 1.2																
<table border="0"> <tr> <td data-bbox="129 344 531 394">Interface</td> <td></td> </tr> <tr> <td data-bbox="129 394 531 443">Standard</td> <td data-bbox="531 394 1482 443">MIL-STD-348B</td> </tr> </table>		Interface		Standard	MIL-STD-348B												
Interface																	
Standard	MIL-STD-348B																
<table border="0"> <tr> <td data-bbox="129 562 531 611">Electrical Data</td> <td></td> </tr> <tr> <td data-bbox="129 611 531 660">Impedance</td> <td data-bbox="531 611 1482 660">50Ω</td> </tr> <tr> <td data-bbox="129 660 531 710">Frequency Range</td> <td data-bbox="531 660 1482 710">DC to 6GHz</td> </tr> <tr> <td data-bbox="129 710 531 759">VSWR</td> <td data-bbox="531 710 1482 759">≤ 1.2 (DC To 6GHz)</td> </tr> <tr> <td data-bbox="129 759 531 808">Insertion Loss</td> <td data-bbox="531 759 1482 808">≤ 0.12 x √f(GHz) dB</td> </tr> <tr> <td data-bbox="129 808 531 857">Insulation Resistance</td> <td data-bbox="531 808 1482 857">≥ 5000MΩ</td> </tr> <tr> <td data-bbox="129 857 531 907">Dielectric Withstanding Voltage (at sea level)</td> <td data-bbox="531 857 1482 907">3000 V rms</td> </tr> <tr> <td data-bbox="129 907 531 956">Working Voltage (at sea level)</td> <td data-bbox="531 907 1482 956">1000 V rms</td> </tr> </table>		Electrical Data		Impedance	50Ω	Frequency Range	DC to 6GHz	VSWR	≤ 1.2 (DC To 6GHz)	Insertion Loss	≤ 0.12 x √f(GHz) dB	Insulation Resistance	≥ 5000MΩ	Dielectric Withstanding Voltage (at sea level)	3000 V rms	Working Voltage (at sea level)	1000 V rms
Electrical Data																	
Impedance	50Ω																
Frequency Range	DC to 6GHz																
VSWR	≤ 1.2 (DC To 6GHz)																
Insertion Loss	≤ 0.12 x √f(GHz) dB																
Insulation Resistance	≥ 5000MΩ																
Dielectric Withstanding Voltage (at sea level)	3000 V rms																
Working Voltage (at sea level)	1000 V rms																
<table border="0"> <tr> <td data-bbox="129 1059 531 1108">Mechanical Data</td> <td></td> </tr> <tr> <td data-bbox="129 1108 531 1158">Recommended Coupling Nut Torque</td> <td data-bbox="531 1108 1482 1158">12 to 15 in-lbs</td> </tr> <tr> <td data-bbox="129 1158 531 1207">Coupling Proof Torque</td> <td data-bbox="531 1158 1482 1207">15 in-lbs</td> </tr> <tr> <td data-bbox="129 1207 531 1256">Durability (mating)</td> <td data-bbox="531 1207 1482 1256">≥ 500</td> </tr> </table>		Mechanical Data		Recommended Coupling Nut Torque	12 to 15 in-lbs	Coupling Proof Torque	15 in-lbs	Durability (mating)	≥ 500								
Mechanical Data																	
Recommended Coupling Nut Torque	12 to 15 in-lbs																
Coupling Proof Torque	15 in-lbs																
Durability (mating)	≥ 500																
<table border="0"> <tr> <td data-bbox="129 1413 531 1462">Environmental Data</td> <td></td> </tr> <tr> <td data-bbox="129 1462 531 1512">Temperature Range</td> <td data-bbox="531 1462 1482 1512">-65°C to +165°C</td> </tr> <tr> <td data-bbox="129 1512 531 1561">Thermal Shock</td> <td data-bbox="531 1512 1482 1561">MIL-STD-202, Method 107, Condition B</td> </tr> <tr> <td data-bbox="129 1561 531 1610">Moisture Resistance</td> <td data-bbox="531 1561 1482 1610">MIL-STD-202, Method 206</td> </tr> <tr> <td data-bbox="129 1610 531 1659">Corrosion</td> <td data-bbox="531 1610 1482 1659">MIL-STD-202, Method 101, Condition B</td> </tr> <tr> <td data-bbox="129 1659 531 1709">RoHS</td> <td data-bbox="531 1659 1482 1709">Compliant</td> </tr> </table>		Environmental Data		Temperature Range	-65°C to +165°C	Thermal Shock	MIL-STD-202, Method 107, Condition B	Moisture Resistance	MIL-STD-202, Method 206	Corrosion	MIL-STD-202, Method 101, Condition B	RoHS	Compliant				
Environmental Data																	
Temperature Range	-65°C to +165°C																
Thermal Shock	MIL-STD-202, Method 107, Condition B																
Moisture Resistance	MIL-STD-202, Method 206																
Corrosion	MIL-STD-202, Method 101, Condition B																
RoHS	Compliant																

Notice: JYEBAO reserves the right to make modifications deemed appropriate.