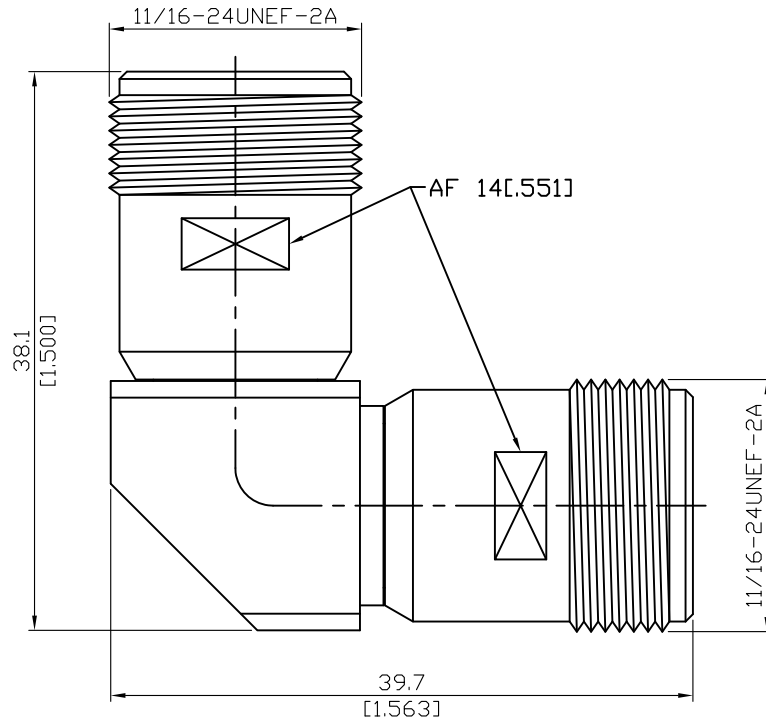


ALS-SC8SC8-FLH

High Power (4000M 1000W CW)
SC Jack to SC Jack Right Angle; 6GHz VSWR 1.3

50Ω



Parts	Material	Plating (Micro-inch)
Body	Stainless Steel	Passivated
Insulator	Fluoroloy H.	
Contact Pin	Beryllium Copper	Gold 4 Over Nickel-Phosphorus Alloy 80 Over Copper 20

This part number complies with RoHS.

Notice: JYEBAO reserves the right to make modifications deemed appropriate.

ALS-SC8SC8-FLH	High Power (4000M 1000W CW) SC Jack to SC Jack Right Angle; 6GHz VSWR 1.3
Interface Standard	MIL-STD-348B
Electrical Data Impedance Frequency Range VSWR Insertion Loss Insulation Resistance Dielectric Withstanding Voltage (at sea level) Working Voltage (at sea level)	50Ω DC to 6GHz ≤ 1.3 (DC To 6GHz) ≤ 0.12 x √f(GHz) dB ≥ 5000MΩ 3000 V rms 1000 V rms
Mechanical Data Recommended Coupling Nut Torque Coupling Proof Torque Durability (mating)	12 to 15 in-lbs 15 in-lbs ≥ 500
Environmental Data Temperature Range Thermal Shock Moisture Resistance Corrosion RoHS	-65°C to +165°C MIL-STD-202, Method 107, Condition B MIL-STD-202, Method 206 MIL-STD-202, Method 101, Condition B Compliant

Notice: JYEBAO reserves the right to make modifications deemed appropriate.