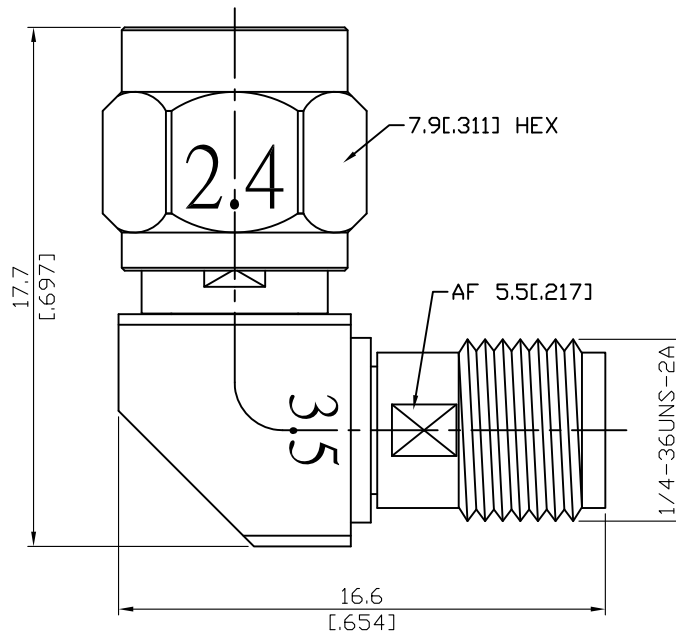


ALS-PC8-2.4/3-1.25

Mitered 3.5mm jack to 2.4mm plug
34.5GHz VSWR 1.25

50Ω



Parts	Material	Plating (Micro-inch)
Coupling Nut	Stainless Steel	Passivated
Body	Stainless Steel	Passivated
Insulator	PPO	
Contact Pin	Beryllium Copper	Gold 4 Over Nickel-Phosphorus Alloy 80 Over Copper 20
Gasket	Silicone	
Retainer Ring	Beryllium Copper	Tin-Zinc-Copper-Alloy 100 Over Copper 50

This part number complies with RoHS.

Notice: JYEBAO reserves the right to make modifications deemed appropriate.

ALS-PC8-2.4/3-1.25	Mitered 3.5mm jack to 2.4mm plug 34.5GHz VSWR 1.25	
Interface Standard Mechanically compatible with	2.4 MIL-STD-348B 1.85	3.5 IEC60169-23 SMA & 2.92
Electrical Data Impedance Frequency Range VSWR Insertion Loss Insulation Resistance Dielectric Withstanding Voltage (at sea level) Working Voltage (at sea level) RF leakage	50Ω DC To 34.5GHz ≤ 1.25 (DC To 34.5GHz) ≤ 0.07 x √f(GHz) dB ≥ 5000MΩ 500 V rms 150 V rms ≥ 100dB to 1GHz	
Mechanical Data Recommended Coupling Nut Torque Coupling Proof Torque Coupling Nut Retention Force Contact Captivation-axial Durability (mating)	2.4 7.08 to 9.74 in-lbs 15 in-lbs ≥ 60.7 lbs ≥ 4.5 lbs ≥ 500	3.5 7.1 to 9.7 in-lbs 15 in-lbs NA ≥ 6.1 lbs ≥ 500
Environmental Data Temperature Range Thermal Shock Moisture Resistance Corrosion RoHS	-55°C to +105°C MIL-STD-202, Method 107, Condition B MIL-STD-202, Method 206 MIL-STD-202, Method 101, Condition B Compliant	

Notice: JYEBAO reserves the right to make modifications deemed appropriate.