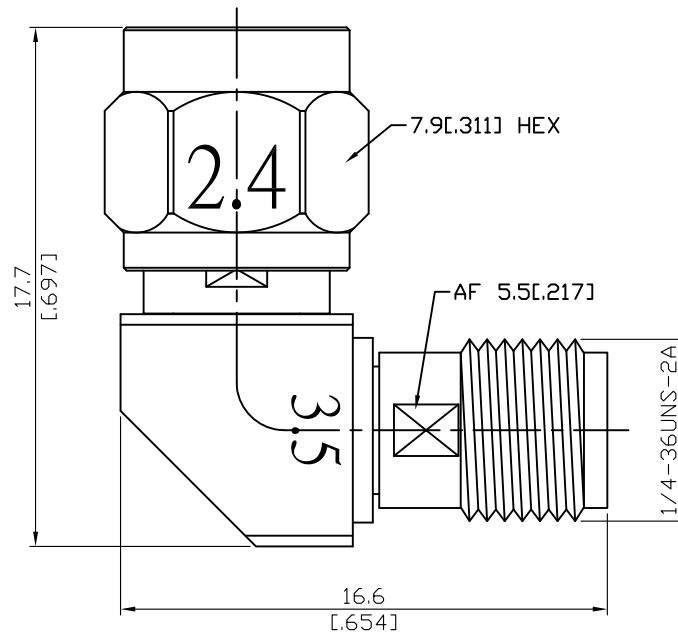


ALS-PC8-2.4/3-1.15

Mitered 3.5mm jack to 2.4mm plug
34.5GHz VSWR 1.15

50Ω



Parts	Material	Plating (Micro-inch)
Coupling Nut	Stainless Steel	Passivated
Body	Stainless Steel	Passivated
Insulator	PPO	
Contact Pin	Beryllium Copper	Gold 4 Over Nickel-Phosphorus Alloy 80 Over Copper 20
Gasket	Silicone	
Retainer Ring	Beryllium Copper	Tin-Zinc-Copper-Alloy 100 Over Copper 50

This part number complies with RoHS.

Notice: JYEBAO reserves the right to make modifications deemed appropriate.

ALS-PC8-2.4/3-1.15		Mitered 3.5mm jack to 2.4mm plug 34.5GHz VSWR 1.15	
Interface		2.4	3.5
Standard		MIL-STD-348B	IEC60169-23
Mechanically compatible with		1.85	SMA & 2.92
Electrical Data			
Impedance		50Ω	
Frequency Range		DC To 34.5GHz	
VSWR		≤ 1.15 (DC To 34.5GHz)	
Insertion Loss		≤ 0.07 x √f(GHz) dB	
Insulation Resistance		≥ 5000MΩ	
Dielectric Withstanding Voltage (at sea level)		500 V rms	
Working Voltage (at sea level)		150 V rms	
RF leakage		≥ 100dB to 1GHz	
Mechanical Data		2.4	3.5
Recommended Coupling Nut Torque		7.08 to 9.74 in-lbs	7.1 to 9.7 in-lbs
Coupling Proof Torque		15 in-lbs	15 in-lbs
Coupling Nut Retention Force		≥ 60.7 lbs	NA
Contact Captivation-axial		≥ 4.5 lbs	≥ 6.1 lbs
Durability (mating)		≥ 500	≥ 500
Environmental Data			
Temperature Range		-55°C to +105°C	
Thermal Shock		MIL-STD-202, Method 107, Condition B	
Moisture Resistance		MIL-STD-202, Method 206	
Corrosion		MIL-STD-202, Method 101, Condition B	
RoHS		Compliant	

ALS-PC8-2.4/3-1.15

