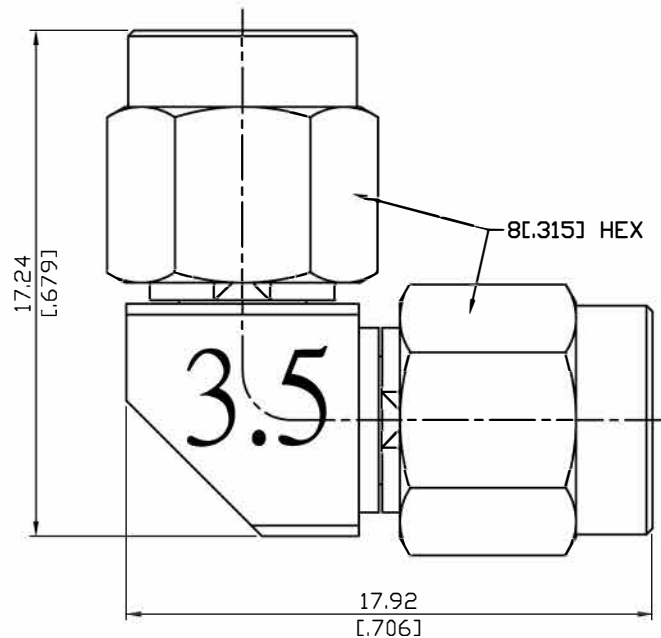


ALS-PC3PC3-1.15	Mitered 3.5mm Plug To 3.5mm Plug 34.5GHz VSWR 1.15	50Ω
-----------------	---	-----



Parts	Material	Plating (Micro-inch)
Insulator	PPO	
Gasket	Silicone	
Centre Contact	Beryllium Copper	Gold 4 Over Nickel-Phosphorus Alloy 80 Over Copper 20
Retainer Ring	Beryllium Copper	Tin-Zinc-Copper-Alloy 100 Over Copper 50
Body	Stainless Steel	Passivated
Coupling Nut	Stainless Steel	Passivated

--	--

This part number complies with RoHS.

Notice: JYEBAO reserves the right to make modifications deemed appropriate.

ALS-PC3PC3-1.15	Mitered 3.5mm Plug To 3.5mm Plug 34.5GHz VSWR 1.15																
<div style="border: 1px solid black; padding: 2px; margin-bottom: 5px;">Interface</div> <table style="width: 100%; border-collapse: collapse;"> <tr> <td style="width: 50%;">Standard</td> <td style="width: 50%;">IEC60169-23</td> </tr> <tr> <td>Mechanically compatible with</td> <td>2.92 & SMA</td> </tr> </table>		Standard	IEC60169-23	Mechanically compatible with	2.92 & SMA												
Standard	IEC60169-23																
Mechanically compatible with	2.92 & SMA																
<div style="border: 1px solid black; padding: 2px; margin-bottom: 5px;">Electrical Data</div> <table style="width: 100%; border-collapse: collapse;"> <tr> <td style="width: 50%;">Impedance</td> <td style="width: 50%;">50Ω</td> </tr> <tr> <td>Frequency Range</td> <td>DC to 34.5GHz</td> </tr> <tr> <td>VSWR</td> <td>≤ 1.15 (DC To 34.5GHz)</td> </tr> <tr> <td>Insertion Loss</td> <td>≤ 0.06 x √f(GHz) dB</td> </tr> <tr> <td>Insulation Resistance</td> <td>≥ 5000MΩ</td> </tr> <tr> <td>Dielectric Withstanding Voltage (at sea level)</td> <td>1000 V rms</td> </tr> <tr> <td>Working Voltage (at sea level)</td> <td>335 V rms</td> </tr> <tr> <td>RF Leakage</td> <td>≥ 100dB to 1GHz</td> </tr> </table>		Impedance	50Ω	Frequency Range	DC to 34.5GHz	VSWR	≤ 1.15 (DC To 34.5GHz)	Insertion Loss	≤ 0.06 x √f(GHz) dB	Insulation Resistance	≥ 5000MΩ	Dielectric Withstanding Voltage (at sea level)	1000 V rms	Working Voltage (at sea level)	335 V rms	RF Leakage	≥ 100dB to 1GHz
Impedance	50Ω																
Frequency Range	DC to 34.5GHz																
VSWR	≤ 1.15 (DC To 34.5GHz)																
Insertion Loss	≤ 0.06 x √f(GHz) dB																
Insulation Resistance	≥ 5000MΩ																
Dielectric Withstanding Voltage (at sea level)	1000 V rms																
Working Voltage (at sea level)	335 V rms																
RF Leakage	≥ 100dB to 1GHz																
<div style="border: 1px solid black; padding: 2px; margin-bottom: 5px;">Mechanical Data</div> <table style="width: 100%; border-collapse: collapse;"> <tr> <td style="width: 50%;">Recommended Coupling Nut Torque</td> <td style="width: 50%;">7.1 to 9.7 in-lbs</td> </tr> <tr> <td>Coupling Proof Torque</td> <td>15 in-lbs</td> </tr> <tr> <td>Coupling Nut Retention Force</td> <td>≥ 60.7 lbs</td> </tr> <tr> <td>Contact Captivation-axial</td> <td>≥ 6.1 lbs</td> </tr> <tr> <td>Durability (mating)</td> <td>≥ 500</td> </tr> </table>		Recommended Coupling Nut Torque	7.1 to 9.7 in-lbs	Coupling Proof Torque	15 in-lbs	Coupling Nut Retention Force	≥ 60.7 lbs	Contact Captivation-axial	≥ 6.1 lbs	Durability (mating)	≥ 500						
Recommended Coupling Nut Torque	7.1 to 9.7 in-lbs																
Coupling Proof Torque	15 in-lbs																
Coupling Nut Retention Force	≥ 60.7 lbs																
Contact Captivation-axial	≥ 6.1 lbs																
Durability (mating)	≥ 500																
<div style="border: 1px solid black; padding: 2px; margin-bottom: 5px;">Environmental Data</div> <table style="width: 100%; border-collapse: collapse;"> <tr> <td style="width: 50%;">Temperature Range</td> <td style="width: 50%;">-55°C to +105°C</td> </tr> <tr> <td>Thermal Shock</td> <td>MIL-STD-202, Method 107, Condition B</td> </tr> <tr> <td>Moisture Resistance</td> <td>MIL-STD-202, Method 206</td> </tr> <tr> <td>Corrosion</td> <td>MIL-STD-202, Method 101, Condition B</td> </tr> <tr> <td>RoHS</td> <td>Compliant</td> </tr> </table>		Temperature Range	-55°C to +105°C	Thermal Shock	MIL-STD-202, Method 107, Condition B	Moisture Resistance	MIL-STD-202, Method 206	Corrosion	MIL-STD-202, Method 101, Condition B	RoHS	Compliant						
Temperature Range	-55°C to +105°C																
Thermal Shock	MIL-STD-202, Method 107, Condition B																
Moisture Resistance	MIL-STD-202, Method 206																
Corrosion	MIL-STD-202, Method 101, Condition B																
RoHS	Compliant																

Notice: JYEBAO reserves the right to make modifications deemed appropriate.

ALS-PC3PC3-1.15

