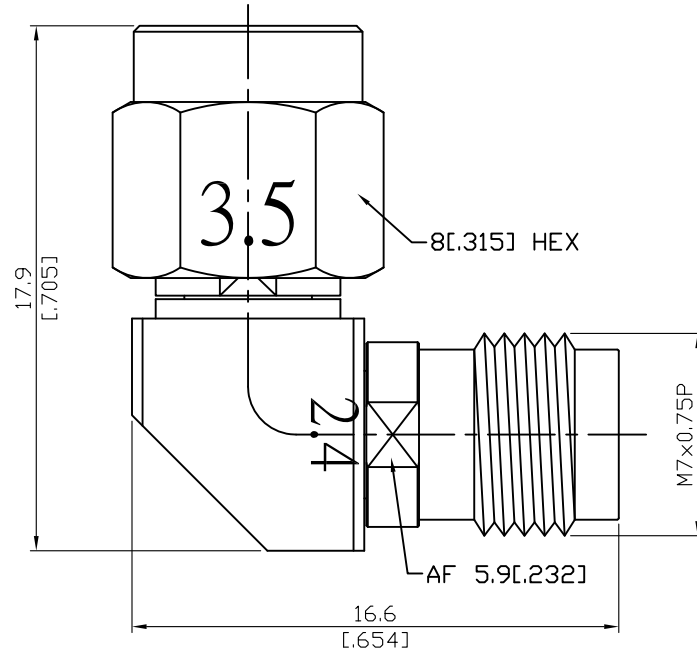


ALS-PC3-2.4/8-1.25

Mitered 3.5mm Plug To 2.4mm Jack
34.5GHz VSWR 1.25

50Ω



Parts	Material	Plating (Micro-inch)
Insulator	PPO	
Gasket	Silicone	
Centre Contact	Beryllium Copper	Gold 4 Over Nickel-Phosphorus Alloy 80 Over Copper 20
Retainer Ring	Beryllium Copper	Tin-Zinc-Copper-Alloy 100 Over Copper 50
Body	Stainless Steel	Passivated
Coupling Nut	Stainless Steel	Passivated

--	--

This part number complies with RoHS.

Notice: JYEBAO reserves the right to make modifications deemed appropriate.

ALS-PC3-2.4/8-1.25	Mitered 3.5mm Plug To 2.4mm Jack 34.5GHz VSWR 1.25													
Interface Standard Mechanically compatible with	<table border="1"> <thead> <tr> <th>2.4</th> <th>3.5</th> </tr> </thead> <tbody> <tr> <td>MIL-STD-348B</td> <td>IEC60169-23</td> </tr> <tr> <td>1.85</td> <td>SMA & 2.92</td> </tr> </tbody> </table>	2.4	3.5	MIL-STD-348B	IEC60169-23	1.85	SMA & 2.92							
2.4	3.5													
MIL-STD-348B	IEC60169-23													
1.85	SMA & 2.92													
Electrical Data Impedance Frequency Range VSWR Insertion Loss Insulation Resistance Dielectric Withstanding Voltage (at sea level) Working Voltage (at sea level) RF leakage	<table border="1"> <tbody> <tr> <td>50Ω</td> </tr> <tr> <td>DC To 34.5GHz</td> </tr> <tr> <td>≤ 1.25 (DC To 34.5GHz)</td> </tr> <tr> <td>≤ 0.07 x √f(GHz) dB</td> </tr> <tr> <td>≥ 5000MΩ</td> </tr> <tr> <td>500 V rms</td> </tr> <tr> <td>150 V rms</td> </tr> <tr> <td>≥ 100dB to 1GHz</td> </tr> </tbody> </table>		50Ω	DC To 34.5GHz	≤ 1.25 (DC To 34.5GHz)	≤ 0.07 x √f(GHz) dB	≥ 5000MΩ	500 V rms	150 V rms	≥ 100dB to 1GHz				
50Ω														
DC To 34.5GHz														
≤ 1.25 (DC To 34.5GHz)														
≤ 0.07 x √f(GHz) dB														
≥ 5000MΩ														
500 V rms														
150 V rms														
≥ 100dB to 1GHz														
Mechanical Data Recommended Coupling Nut Torque Coupling Proof Torque Coupling Nut Retention Force Contact Captivation-axial Durability (mating)	<table border="1"> <thead> <tr> <th>2.4</th> <th>3.5</th> </tr> </thead> <tbody> <tr> <td>7.08 to 9.74 in-lbs</td> <td>7.1 to 9.7 in-lbs</td> </tr> <tr> <td>15 in-lbs</td> <td>15 in-lbs</td> </tr> <tr> <td>NA</td> <td>≥ 60.7 lbs</td> </tr> <tr> <td>≥ 4.5 lbs</td> <td>≥ 6.1 lbs</td> </tr> <tr> <td>≥ 500</td> <td>≥ 500</td> </tr> </tbody> </table>		2.4	3.5	7.08 to 9.74 in-lbs	7.1 to 9.7 in-lbs	15 in-lbs	15 in-lbs	NA	≥ 60.7 lbs	≥ 4.5 lbs	≥ 6.1 lbs	≥ 500	≥ 500
2.4	3.5													
7.08 to 9.74 in-lbs	7.1 to 9.7 in-lbs													
15 in-lbs	15 in-lbs													
NA	≥ 60.7 lbs													
≥ 4.5 lbs	≥ 6.1 lbs													
≥ 500	≥ 500													
Environmental Data Temperature Range Thermal Shock Moisture Resistance Corrosion RoHS	<table border="1"> <tbody> <tr> <td>-55°C to +105°C</td> </tr> <tr> <td>MIL-STD-202, Method 107, Condition B</td> </tr> <tr> <td>MIL-STD-202, Method 206</td> </tr> <tr> <td>MIL-STD-202, Method 101, Condition B</td> </tr> <tr> <td>Compliant</td> </tr> </tbody> </table>		-55°C to +105°C	MIL-STD-202, Method 107, Condition B	MIL-STD-202, Method 206	MIL-STD-202, Method 101, Condition B	Compliant							
-55°C to +105°C														
MIL-STD-202, Method 107, Condition B														
MIL-STD-202, Method 206														
MIL-STD-202, Method 101, Condition B														
Compliant														

ALS-PC3-2.4/8-1.25

