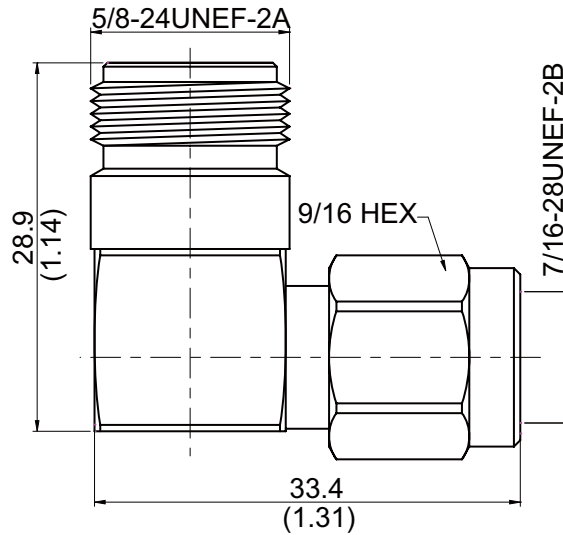


ALS-N8T3A	Stainless N jack to TNC plug right angle 11GHz VSWR 1.2	50Ω
-----------	--	-----



Parts	Material	Plating (Micro-inch)
Cover	Stainless Steel	Passivated
Nut	Brass	Tin-Zinc-Copper-Alloy 100 Over Copper 50
Contact Pin	Beryllium Copper	Gold 4 Over Nickel-Phosphorus Alloy 80 Over Copper 20
Insulator	Teflon	
Retainer Ring	Brass	Tin-Zinc-Copper-Alloy 100 Over Copper 50
Gasket	Silicon	
Body	Stainless Steel	Passivated
Coupling Nut	Stainless Steel	Passivated

Weight:

This part number complies with RoHS.

Notice: JYBAO reserves the right to make modifications deemed appropriate.

ALS-N8T3A	Stainless N jack to TNC plug right angle 11GHz VSWR 1.2															
<div style="border: 1px solid black; padding: 2px; margin-bottom: 5px;">Interface</div> Standard	<table border="1" style="width: 100%; border-collapse: collapse;"> <thead> <tr> <th style="width: 50%;">N</th> <th style="width: 50%;">TNC</th> </tr> </thead> <tbody> <tr> <td style="text-align: center;">MIL-STD-348B</td> <td style="text-align: center;">MIL-STD-348B</td> </tr> </tbody> </table>	N	TNC	MIL-STD-348B	MIL-STD-348B											
N	TNC															
MIL-STD-348B	MIL-STD-348B															
<div style="border: 1px solid black; padding: 2px; margin-bottom: 5px;">Electrical Data</div> Impedance Frequency Range VSWR Insertion Loss Insulation Resistance Dielectric Withstanding Voltage (at sea level) Working Voltage (at sea level)	<table style="width: 100%; border-collapse: collapse;"> <tbody> <tr> <td style="width: 50%;"></td> <td style="width: 50%; text-align: center;">50Ω</td> </tr> <tr> <td></td> <td style="text-align: center;">DC To 11GHz</td> </tr> <tr> <td></td> <td style="text-align: center;">≤ 1.2 (DC To 11GHz)</td> </tr> <tr> <td></td> <td style="text-align: center;">≤ 0.07 x √f(GHz) dB</td> </tr> <tr> <td></td> <td style="text-align: center;">≥ 5000MΩ</td> </tr> <tr> <td></td> <td style="text-align: center;">1500 V rms</td> </tr> <tr> <td></td> <td style="text-align: center;">500 V rms</td> </tr> </tbody> </table>			50Ω		DC To 11GHz		≤ 1.2 (DC To 11GHz)		≤ 0.07 x √f(GHz) dB		≥ 5000MΩ		1500 V rms		500 V rms
	50Ω															
	DC To 11GHz															
	≤ 1.2 (DC To 11GHz)															
	≤ 0.07 x √f(GHz) dB															
	≥ 5000MΩ															
	1500 V rms															
	500 V rms															
<div style="border: 1px solid black; padding: 2px; margin-bottom: 5px;">Mechanical Data</div> Recommended Coupling Nut Torque Coupling Proof Torque Coupling Nut Retention Force Contact Captivation-axial Durability (mating)	<table border="1" style="width: 100%; border-collapse: collapse;"> <thead> <tr> <th style="width: 50%;">N</th> <th style="width: 50%;">TNC</th> </tr> </thead> <tbody> <tr> <td style="text-align: center;">6 to 10 in-lbs</td> <td style="text-align: center;">4.1 to 6.1 in-lbs</td> </tr> <tr> <td style="text-align: center;">15 in-lbs</td> <td style="text-align: center;">15 in-lbs</td> </tr> <tr> <td style="text-align: center;">NA</td> <td style="text-align: center;">≥ 101.2 lbs</td> </tr> <tr> <td style="text-align: center;">≥ 6.3 lbs</td> <td style="text-align: center;">≥ 6.1 lbs</td> </tr> <tr> <td style="text-align: center;">≥ 500</td> <td style="text-align: center;">≥ 500</td> </tr> </tbody> </table>		N	TNC	6 to 10 in-lbs	4.1 to 6.1 in-lbs	15 in-lbs	15 in-lbs	NA	≥ 101.2 lbs	≥ 6.3 lbs	≥ 6.1 lbs	≥ 500	≥ 500		
N	TNC															
6 to 10 in-lbs	4.1 to 6.1 in-lbs															
15 in-lbs	15 in-lbs															
NA	≥ 101.2 lbs															
≥ 6.3 lbs	≥ 6.1 lbs															
≥ 500	≥ 500															
<div style="border: 1px solid black; padding: 2px; margin-bottom: 5px;">Environmental Data</div> Temperature Range Thermal Shock Moisture Resistance Corrosion RoHS	<table style="width: 100%; border-collapse: collapse;"> <tbody> <tr> <td style="width: 50%;"></td> <td style="width: 50%; text-align: center;">-65°C to +165°C</td> </tr> <tr> <td></td> <td style="text-align: center;">MIL-STD-202, Method 107, Condition B</td> </tr> <tr> <td></td> <td style="text-align: center;">MIL-STD-202, Method 206</td> </tr> <tr> <td></td> <td style="text-align: center;">MIL-STD-202, Method 101, Condition B</td> </tr> <tr> <td></td> <td style="text-align: center;">Compliant</td> </tr> </tbody> </table>			-65°C to +165°C		MIL-STD-202, Method 107, Condition B		MIL-STD-202, Method 206		MIL-STD-202, Method 101, Condition B		Compliant				
	-65°C to +165°C															
	MIL-STD-202, Method 107, Condition B															
	MIL-STD-202, Method 206															
	MIL-STD-202, Method 101, Condition B															
	Compliant															