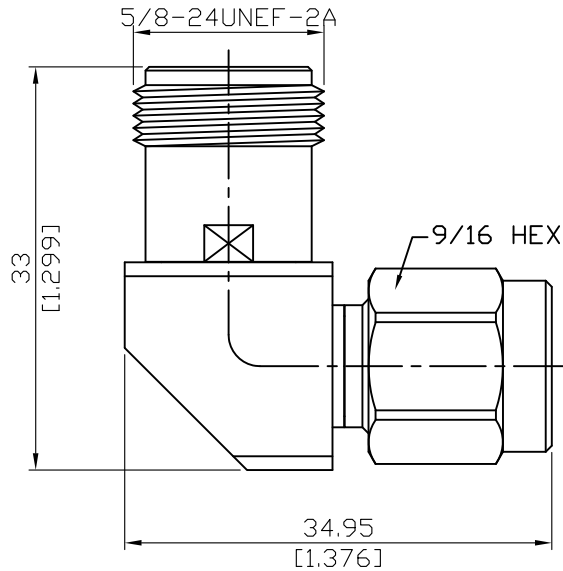


ALS-N8T3-18-1.35

N Jack To TNC Plug Right Angle
18GHz VSWR 1.35

50Ω



| Parts | Material | Plating (Micro-inch) |
|---------------|------------------|---|
| Coupling Nut | Stainless Steel | Passivated |
| Body | Stainless Steel | Passivated |
| Insulator | Teflon | |
| Contact Pin | Beryllium Copper | Gold 4 Over Nickel-Phosphorus Alloy 80 Over Copper 20 |
| Gasket | Silicone | |
| Retainer Ring | Brass | Tin-Zinc-Copper-Alloy 100 Over Copper 50 |

This part number complies with RoHS.

Notice: JYEBAO reserves the right to make modifications deemed appropriate.

| ALS-N8T3-18-1.35 | | N Jack To TNC Plug Right Angle 18GHz VSWR 1.35 | |
|--|--------------------------------------|---|--------------|
| Interface | | N | TNC |
| Standard | | MIL-STD-348B | MIL-STD-348B |
| Electrical Data | | | |
| Impedance | 50Ω | | |
| Frequency Range | DC To 18GHz | | |
| VSWR | ≤ 1.35 (DC To 18GHz) | | |
| Insertion Loss | ≤ 0.07 x √f(GHz) dB | | |
| Insulation Resistance | ≥ 5000MΩ | | |
| Dielectric Withstanding Voltage (at sea level) | 1500 V rms | | |
| Working Voltage (at sea level) | 500 V rms | | |
| Mechanical Data | | N | TNC |
| Recommended Coupling Nut Torque | 6 to 10 in-lbs | 4.1 to 6.1 in-lbs | |
| Coupling Proof Torque | 15 in-lbs | 15 in-lbs | |
| Coupling Nut Retention Force | NA | ≥ 101.2 lbs | |
| Contact Captivation-axial | ≥ 6.3 lbs | ≥ 6.1 lbs | |
| Durability (mating) | ≥ 500 | ≥ 500 | |
| Environmental Data | | | |
| Temperature Range | -65°C to +165°C | | |
| Thermal Shock | MIL-STD-202, Method 107, Condition B | | |
| Moisture Resistance | MIL-STD-202, Method 206 | | |
| Corrosion | MIL-STD-202, Method 101, Condition B | | |
| RoHS | Compliant | | |