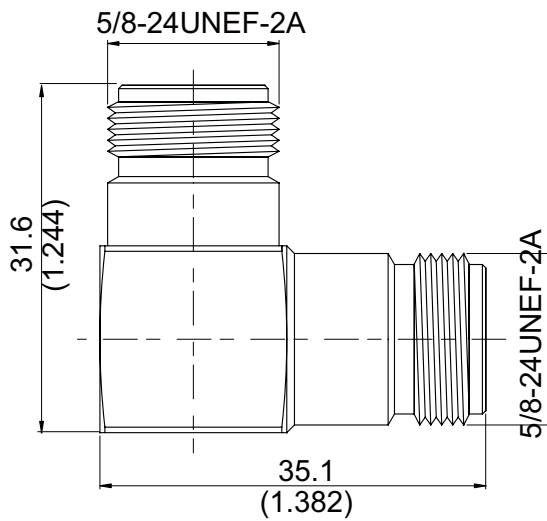


ALS-N8N8

Stainless N Jack To N Jack Right Angle
11GHz VSWR 1.2

50Ω



Parts	Material	Plating (Micro-inch)
Cover	Stainless Steel	Passivated
Contact Pin	Beryllium Copper	Gold 4 Over Nickel-Phosphorus Alloy 80 Over Copper 20
Body	Stainless Steel	Passivated
Insulator	Teflon	

Weight: 66.36 g

This part number complies with RoHS.

Notice: JYEBAO reserves the right to make modifications deemed appropriate.

ALS-N8N8	Stainless N Jack to N Jack Right Angle 11GHz VSWR 1.2
Interface Standard	MIL-STD-348B
Electrical Data Impedance Frequency Range VSWR Insertion Loss Insulation Resistance Dielectric Withstanding Voltage (at sea level) Working Voltage (at sea level)	50Ω DC to 11GHz ≤ 1.2 (DC To 11GHz) ≤ 0.07 x √f(GHz) dB ≥ 5000MΩ 2500 V rms 1000 V rms
Mechanical Data Recommended Coupling Nut Torque Coupling Proof Torque Contact Captivation-axial Durability (mating)	6 to 10 in-lbs 15 in-lbs ≥ 6.3 lbs ≥ 500
Environmental Data Temperature Range Thermal Shock Moisture Resistance Corrosion RoHS	-65°C to +165°C MIL-STD-202, Method 107, Condition B MIL-STD-202, Method 206 MIL-STD-202, Method 101, Condition B Compliant

Notice: JYEBAO reserves the right to make modifications deemed appropriate.