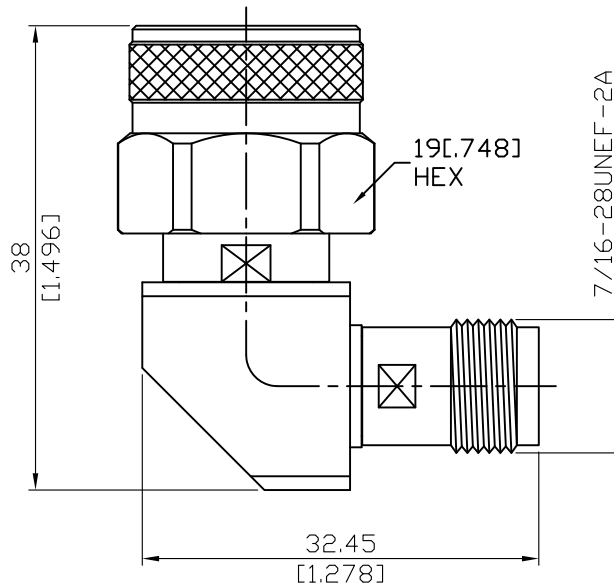


ALS-N3T8-18-1.35

N Plug to TNC Jack Right Angle
18GHz VSWR1.35

50Ω



Parts	Material	Plating (Micro-inch)
Coupling Nut	Stainless Steel	Passivated
Body	Stainless Steel	Passivated
Insulator	Teflon	
Contact Pin	Beryllium Copper	Gold 4 Over Nickel-Phosphorus Alloy 80 Over Copper 20
Gasket	Silicone	
Retainer Ring	Brass	Tin-Zinc-Copper-Alloy 100 Over Copper 50

This part number complies with RoHS.

Notice: JYEBAO reserves the right to make modifications deemed appropriate.

ALS-N3T8-18-1.35		N Plug to TNC Jack Right Angle 18GHz VSWR 1.35	
Interface		N	TNC
Standard		MIL-STD-348B	MIL-STD-348B
Electrical Data			
Impedance	50Ω		
Frequency Range	DC To 18GHz		
VSWR	≤ 1.35 (DC To 18GHz)		
Insertion Loss	≤ 0.07 x √f(GHz) dB		
Insulation Resistance	≥ 5000MΩ		
Dielectric Withstanding Voltage (at sea level)	1500 V rms		
Working Voltage (at sea level)	500 V rms		
Mechanical Data		N	TNC
Recommended Coupling Nut Torque	6 to 10 in-lbs	4.1 to 6.1 in-lbs	
Coupling Proof Torque	15 in-lbs	15 in-lbs	
Coupling Nut Retention Force	≥ 101.2 lbs	NA	
Contact Captivation-axial	≥ 6.3 lbs	≥ 6.1 lbs	
Durability (mating)	≥ 500	≥ 500	
Environmental Data			
Temperature Range	-65°C to +165°C		
Thermal Shock	MIL-STD-202, Method 107, Condition B		
Moisture Resistance	MIL-STD-202, Method 206		
Corrosion	MIL-STD-202, Method 101, Condition B		
RoHS	Compliant		