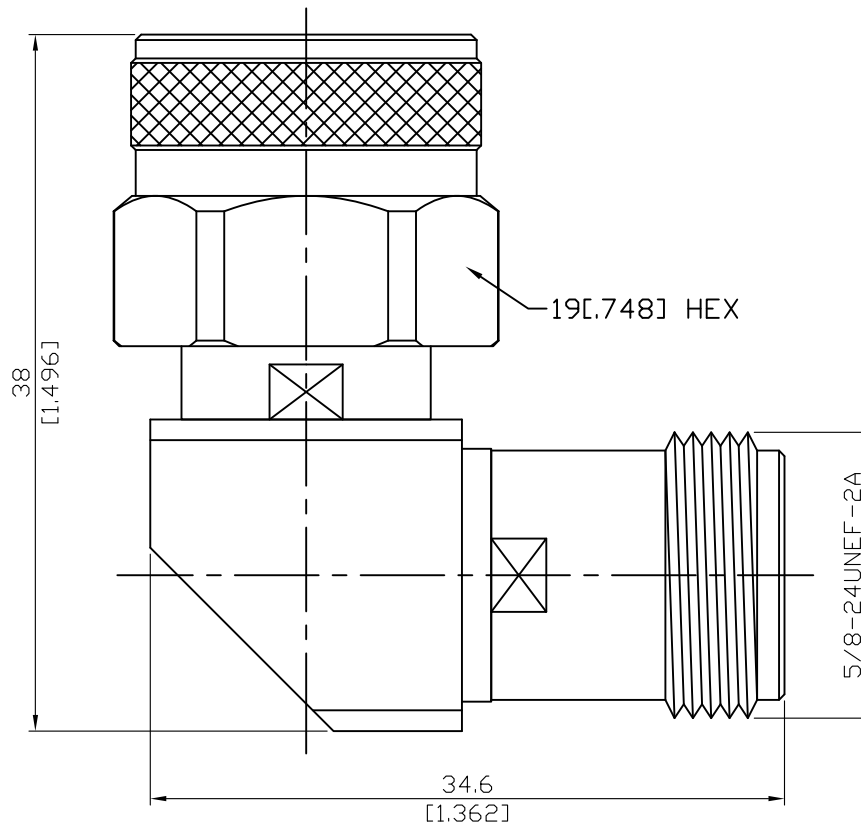


ALS-N3N8-18-1.2

Mitered N Plug To N Jack  
18GHz VSWR1.2

50Ω



Parts	Material	Plating ( Micro-inch )
Retainer Ring	Brass	Tin-Zinc-Copper-Alloy 100 Over Copper 50
Gasket	Silicone	
Contact Pin	Beryllium Copper	Gold 4 Over Nickel-Phosphorus Alloy 80 Over Copper 20
Insulator	Teflon	
Body	Stainless Steel	Passivated
Coupling Nut	Stainless Steel	Passivated

This part number complies with RoHS.

Notice: JYEBAO reserves the right to make modifications deemed appropriate.

ALS-N3N8-18-1.2	Mitered N Plug To N Jack 18GHz VSWR 1.2																
<table border="0"> <tr> <td data-bbox="129 342 531 394"><b>Interface</b></td> <td></td> </tr> <tr> <td data-bbox="129 394 531 533">Standard</td> <td data-bbox="531 394 1482 533">MIL-STD-348B</td> </tr> </table>		<b>Interface</b>		Standard	MIL-STD-348B												
<b>Interface</b>																	
Standard	MIL-STD-348B																
<table border="0"> <tr> <td data-bbox="129 555 531 607"><b>Electrical Data</b></td> <td></td> </tr> <tr> <td data-bbox="129 607 531 658">Impedance</td> <td data-bbox="531 607 1482 658">50Ω</td> </tr> <tr> <td data-bbox="129 658 531 710">Frequency Range</td> <td data-bbox="531 658 1482 710">DC to 18GHz</td> </tr> <tr> <td data-bbox="129 710 531 761">VSWR</td> <td data-bbox="531 710 1482 761">≤ 1.2 (DC To 18GHz)</td> </tr> <tr> <td data-bbox="129 761 531 813">Insertion Loss</td> <td data-bbox="531 761 1482 813">≤ 0.07 x √f(GHz) dB</td> </tr> <tr> <td data-bbox="129 813 531 864">Insulation Resistance</td> <td data-bbox="531 813 1482 864">≥ 5000MΩ</td> </tr> <tr> <td data-bbox="129 864 531 916">Dielectric Withstanding Voltage (at sea level)</td> <td data-bbox="531 864 1482 916">2500 V rms</td> </tr> <tr> <td data-bbox="129 916 531 967">Working Voltage (at sea level)</td> <td data-bbox="531 916 1482 967">1000 V rms</td> </tr> </table>		<b>Electrical Data</b>		Impedance	50Ω	Frequency Range	DC to 18GHz	VSWR	≤ 1.2 (DC To 18GHz)	Insertion Loss	≤ 0.07 x √f(GHz) dB	Insulation Resistance	≥ 5000MΩ	Dielectric Withstanding Voltage (at sea level)	2500 V rms	Working Voltage (at sea level)	1000 V rms
<b>Electrical Data</b>																	
Impedance	50Ω																
Frequency Range	DC to 18GHz																
VSWR	≤ 1.2 (DC To 18GHz)																
Insertion Loss	≤ 0.07 x √f(GHz) dB																
Insulation Resistance	≥ 5000MΩ																
Dielectric Withstanding Voltage (at sea level)	2500 V rms																
Working Voltage (at sea level)	1000 V rms																
<table border="0"> <tr> <td data-bbox="129 1052 531 1104"><b>Mechanical Data</b></td> <td></td> </tr> <tr> <td data-bbox="129 1104 531 1155">Recommended Coupling Nut Torque</td> <td data-bbox="531 1104 1482 1155">6 to 10 in-lbs</td> </tr> <tr> <td data-bbox="129 1155 531 1207">Coupling Proof Torque</td> <td data-bbox="531 1155 1482 1207">15 in-lbs</td> </tr> <tr> <td data-bbox="129 1207 531 1258">Coupling Nut Retention Force</td> <td data-bbox="531 1207 1482 1258">≥ 101.2 lbs</td> </tr> <tr> <td data-bbox="129 1258 531 1310">Contact Captivation-axial</td> <td data-bbox="531 1258 1482 1310">≥ 6.3 lbs</td> </tr> <tr> <td data-bbox="129 1310 531 1361">Durability (mating)</td> <td data-bbox="531 1310 1482 1361">≥ 500</td> </tr> </table>		<b>Mechanical Data</b>		Recommended Coupling Nut Torque	6 to 10 in-lbs	Coupling Proof Torque	15 in-lbs	Coupling Nut Retention Force	≥ 101.2 lbs	Contact Captivation-axial	≥ 6.3 lbs	Durability (mating)	≥ 500				
<b>Mechanical Data</b>																	
Recommended Coupling Nut Torque	6 to 10 in-lbs																
Coupling Proof Torque	15 in-lbs																
Coupling Nut Retention Force	≥ 101.2 lbs																
Contact Captivation-axial	≥ 6.3 lbs																
Durability (mating)	≥ 500																
<table border="0"> <tr> <td data-bbox="129 1451 531 1503"><b>Environmental Data</b></td> <td></td> </tr> <tr> <td data-bbox="129 1503 531 1554">Temperature Range</td> <td data-bbox="531 1503 1482 1554">-65°C to +165°C</td> </tr> <tr> <td data-bbox="129 1554 531 1606">Thermal Shock</td> <td data-bbox="531 1554 1482 1606">MIL-STD-202, Method 107, Condition B</td> </tr> <tr> <td data-bbox="129 1606 531 1657">Moisture Resistance</td> <td data-bbox="531 1606 1482 1657">MIL-STD-202, Method 206</td> </tr> <tr> <td data-bbox="129 1657 531 1709">Corrosion</td> <td data-bbox="531 1657 1482 1709">MIL-STD-202, Method 101, Condition B</td> </tr> <tr> <td data-bbox="129 1709 531 1760">RoHS</td> <td data-bbox="531 1709 1482 1760">Compliant</td> </tr> </table>		<b>Environmental Data</b>		Temperature Range	-65°C to +165°C	Thermal Shock	MIL-STD-202, Method 107, Condition B	Moisture Resistance	MIL-STD-202, Method 206	Corrosion	MIL-STD-202, Method 101, Condition B	RoHS	Compliant				
<b>Environmental Data</b>																	
Temperature Range	-65°C to +165°C																
Thermal Shock	MIL-STD-202, Method 107, Condition B																
Moisture Resistance	MIL-STD-202, Method 206																
Corrosion	MIL-STD-202, Method 101, Condition B																
RoHS	Compliant																

Notice: JYEBAO reserves the right to make modifications deemed appropriate.

# ALS-N3N8-18-1.2

