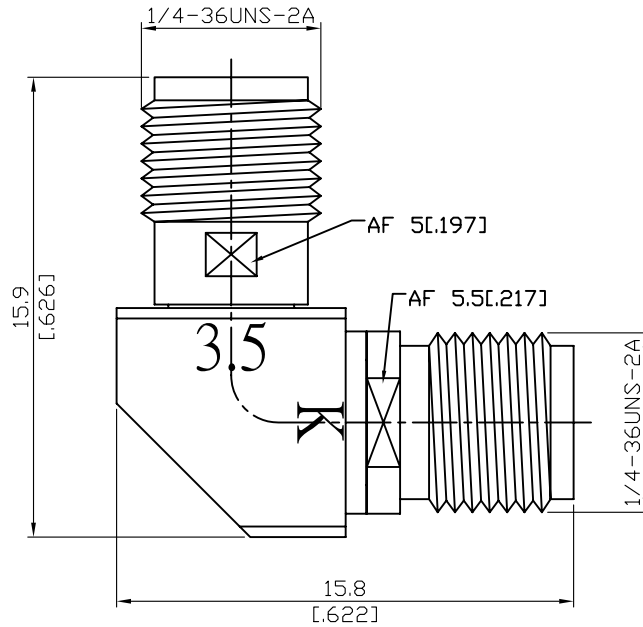


ALS-K8PC8-1.25

Mitered 2.92mm Jack To 3.5mm Jack  
34.5GHz VSWR 1.25

50Ω



Parts	Material	Plating ( Micro-inch )
Insulator	PPO	
Contact Pin	Beryllium Copper	Gold 4 Over Nickel-Phosphorus Alloy 80 Over Copper 20
Body	Stainless Steel	Passivated

This part number complies with RoHS.

Notice: JYEBAO reserves the right to make modifications demand appropriate.

ALS-K8PC8-1.25	Mitered 2.92mm jack to 3.5mm jack 34.5GHz VSWR 1.25																												
<table border="1"> <tr> <td data-bbox="113 324 531 392">Interface</td> <td data-bbox="531 324 1123 392">2.92</td> <td data-bbox="1123 324 1482 392">3.5</td> </tr> <tr> <td data-bbox="113 392 531 443">Standard</td> <td data-bbox="531 392 1123 443">MIL-STD-348B</td> <td data-bbox="1123 392 1482 443">IEC60169-23</td> </tr> <tr> <td data-bbox="113 443 531 584">Mechanically compatible with</td> <td data-bbox="531 443 1123 584">3.5 &amp; SMA</td> <td data-bbox="1123 443 1482 584">2.92 &amp; SMA</td> </tr> </table>	Interface	2.92	3.5	Standard	MIL-STD-348B	IEC60169-23	Mechanically compatible with	3.5 & SMA	2.92 & SMA																				
Interface	2.92	3.5																											
Standard	MIL-STD-348B	IEC60169-23																											
Mechanically compatible with	3.5 & SMA	2.92 & SMA																											
<table border="1"> <tr> <td data-bbox="113 584 531 651">Electrical Data</td> <td colspan="2" data-bbox="531 584 1482 1133"></td> </tr> <tr> <td data-bbox="113 651 531 703">Impedance</td> <td colspan="2" data-bbox="531 651 1482 703">50Ω</td> </tr> <tr> <td data-bbox="113 703 531 754">Frequency Range</td> <td colspan="2" data-bbox="531 703 1482 754">DC To 34.5GHz</td> </tr> <tr> <td data-bbox="113 754 531 806">VSWR</td> <td colspan="2" data-bbox="531 754 1482 806">≤ 1.25 (DC To 34.5GHz)</td> </tr> <tr> <td data-bbox="113 806 531 857">Insertion Loss</td> <td colspan="2" data-bbox="531 806 1482 857">≤ 0.04 x √f(GHz) dB</td> </tr> <tr> <td data-bbox="113 857 531 909">Insulation Resistance</td> <td colspan="2" data-bbox="531 857 1482 909">≥ 5000MΩ</td> </tr> <tr> <td data-bbox="113 909 531 960">Dielectric Withstanding Voltage (at sea level)</td> <td colspan="2" data-bbox="531 909 1482 960">750 V rms</td> </tr> <tr> <td data-bbox="113 960 531 1012">Working Voltage (at sea level)</td> <td colspan="2" data-bbox="531 960 1482 1012">250 V rms</td> </tr> <tr> <td data-bbox="113 1012 531 1133">RF leakage</td> <td colspan="2" data-bbox="531 1012 1482 1133">≥ 100dB to 1GHz</td> </tr> </table>	Electrical Data			Impedance	50Ω		Frequency Range	DC To 34.5GHz		VSWR	≤ 1.25 (DC To 34.5GHz)		Insertion Loss	≤ 0.04 x √f(GHz) dB		Insulation Resistance	≥ 5000MΩ		Dielectric Withstanding Voltage (at sea level)	750 V rms		Working Voltage (at sea level)	250 V rms		RF leakage	≥ 100dB to 1GHz			
Electrical Data																													
Impedance	50Ω																												
Frequency Range	DC To 34.5GHz																												
VSWR	≤ 1.25 (DC To 34.5GHz)																												
Insertion Loss	≤ 0.04 x √f(GHz) dB																												
Insulation Resistance	≥ 5000MΩ																												
Dielectric Withstanding Voltage (at sea level)	750 V rms																												
Working Voltage (at sea level)	250 V rms																												
RF leakage	≥ 100dB to 1GHz																												
<table border="1"> <tr> <td data-bbox="113 1133 531 1200">Mechanical Data</td> <td data-bbox="531 1133 1123 1200">2.92</td> <td data-bbox="1123 1133 1482 1200">3.5</td> </tr> <tr> <td data-bbox="113 1200 531 1252">Recommended Coupling Nut Torque</td> <td data-bbox="531 1200 1123 1252">11.47 in-lbs</td> <td data-bbox="1123 1200 1482 1252">7.1 to 9.7 in-lbs</td> </tr> <tr> <td data-bbox="113 1252 531 1303">Coupling Proof Torque</td> <td data-bbox="531 1252 1123 1303">15 in-lbs</td> <td data-bbox="1123 1252 1482 1303">15 in-lbs</td> </tr> <tr> <td data-bbox="113 1303 531 1355">Contact Captivation-axial</td> <td data-bbox="531 1303 1123 1355">≥ 4.9 lbs</td> <td data-bbox="1123 1303 1482 1355">≥ 6.1 lbs</td> </tr> <tr> <td data-bbox="113 1355 531 1485">Durability (mating)</td> <td data-bbox="531 1355 1123 1485">≥ 500</td> <td data-bbox="1123 1355 1482 1485">≥ 500</td> </tr> </table>	Mechanical Data	2.92	3.5	Recommended Coupling Nut Torque	11.47 in-lbs	7.1 to 9.7 in-lbs	Coupling Proof Torque	15 in-lbs	15 in-lbs	Contact Captivation-axial	≥ 4.9 lbs	≥ 6.1 lbs	Durability (mating)	≥ 500	≥ 500														
Mechanical Data	2.92	3.5																											
Recommended Coupling Nut Torque	11.47 in-lbs	7.1 to 9.7 in-lbs																											
Coupling Proof Torque	15 in-lbs	15 in-lbs																											
Contact Captivation-axial	≥ 4.9 lbs	≥ 6.1 lbs																											
Durability (mating)	≥ 500	≥ 500																											
<table border="1"> <tr> <td data-bbox="113 1485 531 1552">Environmental Data</td> <td colspan="2" data-bbox="531 1485 1482 2087"></td> </tr> <tr> <td data-bbox="113 1552 531 1603">Temperature Range</td> <td colspan="2" data-bbox="531 1552 1482 1603">-55°C to +105°C</td> </tr> <tr> <td data-bbox="113 1603 531 1655">Thermal Shock</td> <td colspan="2" data-bbox="531 1603 1482 1655">MIL-STD-202, Method 107, Condition B</td> </tr> <tr> <td data-bbox="113 1655 531 1706">Moisture Resistance</td> <td colspan="2" data-bbox="531 1655 1482 1706">MIL-STD-202, Method 206</td> </tr> <tr> <td data-bbox="113 1706 531 1758">Corrosion</td> <td colspan="2" data-bbox="531 1706 1482 1758">MIL-STD-202, Method 101, Condition B</td> </tr> <tr> <td data-bbox="113 1758 531 2087">RoHS</td> <td colspan="2" data-bbox="531 1758 1482 2087">Compliant</td> </tr> </table>	Environmental Data			Temperature Range	-55°C to +105°C		Thermal Shock	MIL-STD-202, Method 107, Condition B		Moisture Resistance	MIL-STD-202, Method 206		Corrosion	MIL-STD-202, Method 101, Condition B		RoHS	Compliant												
Environmental Data																													
Temperature Range	-55°C to +105°C																												
Thermal Shock	MIL-STD-202, Method 107, Condition B																												
Moisture Resistance	MIL-STD-202, Method 206																												
Corrosion	MIL-STD-202, Method 101, Condition B																												
RoHS	Compliant																												

# ALS-K8PC8-1.25

