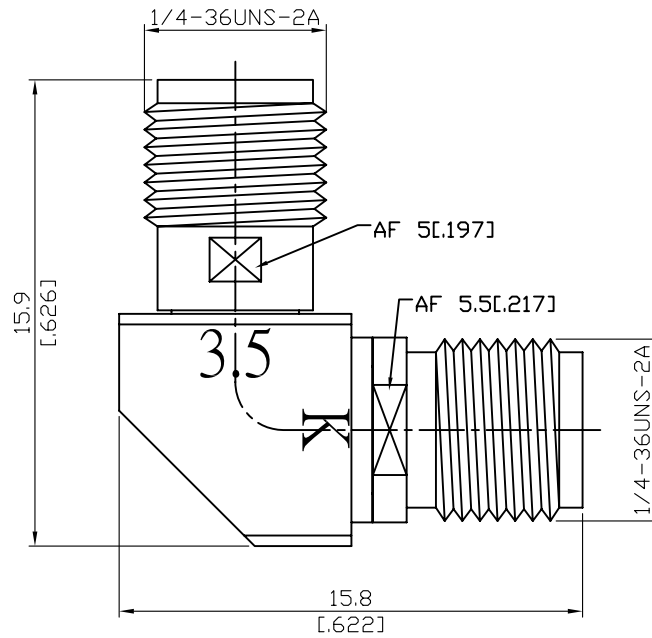


ALS-K8PC8-1.15

Mitered 2.92mm Jack To 3.5mm Jack
34.5GHz VSWR 1.15

50Ω



Parts	Material	Plating (Micro-inch)
Insulator	PPO	
Contact Pin	Beryllium Copper	Gold 4 Over Nickel-Phosphorus Alloy 80 Over Copper 20
Body	Stainless Steel	Passivated

This part number complies with RoHS.

Notice: JYEBAO reserves the right to make modifications demand appropriate.

ALS-K8PC8-1.15	Mitered 2.92mm jack to 3.5mm jack 34.5GHz VSWR 1.15																									
<div style="border: 1px solid black; padding: 2px; margin-bottom: 5px;">Interface</div> Standard Mechanically compatible with	<table border="1" style="width: 100%; border-collapse: collapse;"> <thead> <tr> <th style="width: 50%;"></th> <th style="width: 25%; text-align: center;">2.92</th> <th style="width: 25%; text-align: center;">3.5</th> </tr> </thead> <tbody> <tr> <td style="text-align: center;">Standard</td> <td style="text-align: center;">MIL-STD-348B</td> <td style="text-align: center;">IEC60169-23</td> </tr> <tr> <td style="text-align: center;">Mechanically compatible with</td> <td style="text-align: center;">3.5 & SMA</td> <td style="text-align: center;">2.92 & SMA</td> </tr> </tbody> </table>		2.92	3.5	Standard	MIL-STD-348B	IEC60169-23	Mechanically compatible with	3.5 & SMA	2.92 & SMA																
	2.92	3.5																								
Standard	MIL-STD-348B	IEC60169-23																								
Mechanically compatible with	3.5 & SMA	2.92 & SMA																								
<div style="border: 1px solid black; padding: 2px; margin-bottom: 5px;">Electrical Data</div> Impedance Frequency Range VSWR Insertion Loss Insulation Resistance Dielectric Withstanding Voltage (at sea level) Working Voltage (at sea level) RF leakage	<table border="1" style="width: 100%; border-collapse: collapse;"> <tbody> <tr> <td style="width: 50%;">Impedance</td> <td colspan="2" style="text-align: center;">50Ω</td> </tr> <tr> <td>Frequency Range</td> <td colspan="2" style="text-align: center;">DC To 34.5GHz</td> </tr> <tr> <td>VSWR</td> <td colspan="2" style="text-align: center;">≤ 1.15 (DC To 34.5GHz)</td> </tr> <tr> <td>Insertion Loss</td> <td colspan="2" style="text-align: center;">≤ 0.04 x √f(GHz) dB</td> </tr> <tr> <td>Insulation Resistance</td> <td colspan="2" style="text-align: center;">≥ 5000MΩ</td> </tr> <tr> <td>Dielectric Withstanding Voltage (at sea level)</td> <td colspan="2" style="text-align: center;">750 V rms</td> </tr> <tr> <td>Working Voltage (at sea level)</td> <td colspan="2" style="text-align: center;">250 V rms</td> </tr> <tr> <td>RF leakage</td> <td colspan="2" style="text-align: center;">≥ 100dB to 1GHz</td> </tr> </tbody> </table>		Impedance	50Ω		Frequency Range	DC To 34.5GHz		VSWR	≤ 1.15 (DC To 34.5GHz)		Insertion Loss	≤ 0.04 x √f(GHz) dB		Insulation Resistance	≥ 5000MΩ		Dielectric Withstanding Voltage (at sea level)	750 V rms		Working Voltage (at sea level)	250 V rms		RF leakage	≥ 100dB to 1GHz	
Impedance	50Ω																									
Frequency Range	DC To 34.5GHz																									
VSWR	≤ 1.15 (DC To 34.5GHz)																									
Insertion Loss	≤ 0.04 x √f(GHz) dB																									
Insulation Resistance	≥ 5000MΩ																									
Dielectric Withstanding Voltage (at sea level)	750 V rms																									
Working Voltage (at sea level)	250 V rms																									
RF leakage	≥ 100dB to 1GHz																									
<div style="border: 1px solid black; padding: 2px; margin-bottom: 5px;">Mechanical Data</div> Recommended Coupling Nut Torque Coupling Proof Torque Contact Captivation-axial Durability (mating)	<table border="1" style="width: 100%; border-collapse: collapse;"> <thead> <tr> <th style="width: 50%;"></th> <th style="width: 25%; text-align: center;">2.92</th> <th style="width: 25%; text-align: center;">3.5</th> </tr> </thead> <tbody> <tr> <td style="text-align: center;">Recommended Coupling Nut Torque</td> <td style="text-align: center;">11.47 in-lbs</td> <td style="text-align: center;">7.1 to 9.7 in-lbs</td> </tr> <tr> <td style="text-align: center;">Coupling Proof Torque</td> <td style="text-align: center;">15 in-lbs</td> <td style="text-align: center;">15 in-lbs</td> </tr> <tr> <td style="text-align: center;">Contact Captivation-axial</td> <td style="text-align: center;">≥ 4.9 lbs</td> <td style="text-align: center;">≥ 6.1 lbs</td> </tr> <tr> <td style="text-align: center;">Durability (mating)</td> <td style="text-align: center;">≥ 500</td> <td style="text-align: center;">≥ 500</td> </tr> </tbody> </table>			2.92	3.5	Recommended Coupling Nut Torque	11.47 in-lbs	7.1 to 9.7 in-lbs	Coupling Proof Torque	15 in-lbs	15 in-lbs	Contact Captivation-axial	≥ 4.9 lbs	≥ 6.1 lbs	Durability (mating)	≥ 500	≥ 500									
	2.92	3.5																								
Recommended Coupling Nut Torque	11.47 in-lbs	7.1 to 9.7 in-lbs																								
Coupling Proof Torque	15 in-lbs	15 in-lbs																								
Contact Captivation-axial	≥ 4.9 lbs	≥ 6.1 lbs																								
Durability (mating)	≥ 500	≥ 500																								
<div style="border: 1px solid black; padding: 2px; margin-bottom: 5px;">Environmental Data</div> Temperature Range Thermal Shock Moisture Resistance Corrosion RoHS	<table border="1" style="width: 100%; border-collapse: collapse;"> <tbody> <tr> <td style="width: 50%;">Temperature Range</td> <td colspan="2" style="text-align: center;">-55°C to +105°C</td> </tr> <tr> <td>Thermal Shock</td> <td colspan="2" style="text-align: center;">MIL-STD-202, Method 107, Condition B</td> </tr> <tr> <td>Moisture Resistance</td> <td colspan="2" style="text-align: center;">MIL-STD-202, Method 206</td> </tr> <tr> <td>Corrosion</td> <td colspan="2" style="text-align: center;">MIL-STD-202, Method 101, Condition B</td> </tr> <tr> <td>RoHS</td> <td colspan="2" style="text-align: center;">Compliant</td> </tr> </tbody> </table>		Temperature Range	-55°C to +105°C		Thermal Shock	MIL-STD-202, Method 107, Condition B		Moisture Resistance	MIL-STD-202, Method 206		Corrosion	MIL-STD-202, Method 101, Condition B		RoHS	Compliant										
Temperature Range	-55°C to +105°C																									
Thermal Shock	MIL-STD-202, Method 107, Condition B																									
Moisture Resistance	MIL-STD-202, Method 206																									
Corrosion	MIL-STD-202, Method 101, Condition B																									
RoHS	Compliant																									

ALS-K8PC8-1.15

