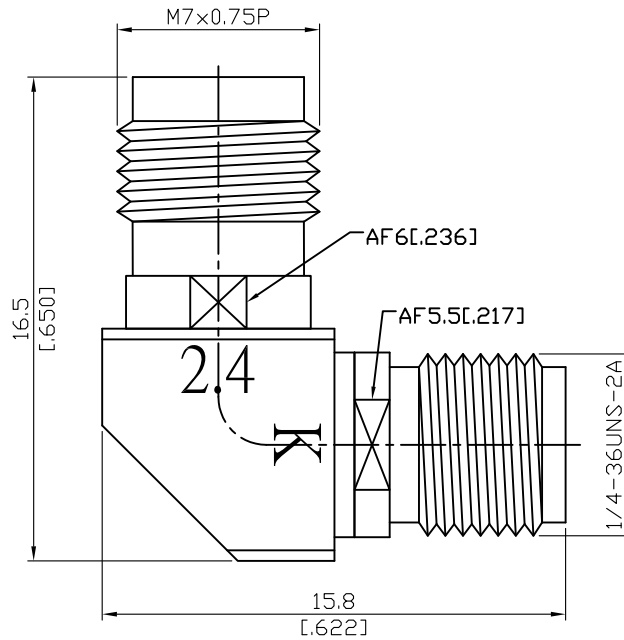


ALS-K8-2.4/8-1.15

Mitered 2.92mm Jack To 2.4mm Jack
40GHz VSWR 1.15

50Ω



Parts	Material	Plating (Micro-inch)
Insulator	PPO	
Centre Contact	Beryllium Copper	Gold 4 Over Nickel-Phosphorus Alloy 80 Over Copper 20
Body	Stainless Steel	Passivated

This part number complies with RoHS.

Notice: JYEBAO reserves the right to make modifications deemed appropriate.

ALS-K8-2.4/8-1.15	Mitered 2.92mm Jack To 2.4mm Jack 40GHz VSWR 1.15	
Interface Standard Mechanically compatible with	2.4 MIL-STD-348B 1.85	2.92 MIL-STD-348B SMA & 3.5
Electrical Data Impedance Frequency Range VSWR Insertion Loss Insulation Resistance Dielectric Withstanding Voltage (at sea level) Working Voltage (at sea level) RF leakage	50Ω DC To 40GHz ≤ 1.15 (DC To 40GHz) ≤ 0.06 x √f(GHz) dB ≥ 5000MΩ 500 V rms 150 V rms ≥ 100dB to 1GHz	
Mechanical Data Recommended Coupling Nut Torque Coupling Proof Torque Contact Captivation-axial Durability (mating)	2.4 7.08 to 9.74 in-lbs 15 in-lbs ≥ 4.5 lbs ≥ 500	2.92 11.47 in-lbs 15 in-lbs ≥ 4.9 lbs ≥ 500
Environmental Data Temperature Range Thermal Shock Moisture Resistance Corrosion RoHS	-55°C to +105°C MIL-STD-202, Method 107, Condition B MIL-STD-202, Method 206 MIL-STD-202, Method 101, Condition B Compliant	

ALS-K8-2.4/8-1.15

