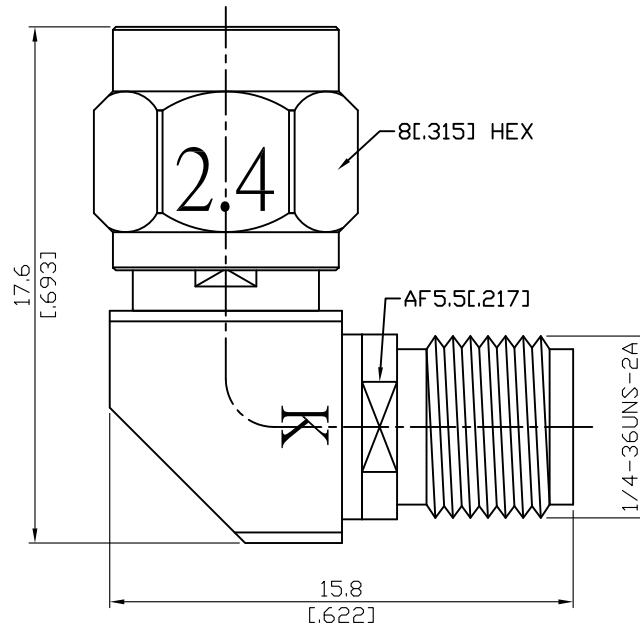


ALS-K8-2.4/3-1.25

Mitered 2.92mm Jack To 2.4mm Plug  
40GHz VSWR 1.25

50Ω



Parts	Material	Plating ( Micro-inch )
Insulator	PPO	
Gasket	Silicone	
Centre Contact	Beryllium Copper	Gold 4 Over Nickel-Phosphorus Alloy 80 Over Copper 20
Retainer Ring	Beryllium Copper	Tin-Zinc-Copper-Alloy 100 Over Copper 50
Body	Stainless Steel	Passivated
Coupling Nut	Stainless Steel	Passivated

This part number complies with RoHS.

Notice: JYEBAO reserves the right to make modifications deemed appropriate.

ALS-K8-2.4/3-1.25		Mitered 2.92mm Jack To 2.4mm Plug 40GHz VSWR 1.25	
<b>Interface</b>		2.4	2.92
Standard		MIL-STD-348B	MIL-STD-348B
Mechanically compatible with		1.85	SMA & 3.5
<b>Electrical Data</b>			
Impedance		50Ω	
Frequency Range		DC To 40GHz	
VSWR		≤ 1.25 (DC To 40GHz)	
Insertion Loss		≤ 0.06 x √f(GHz) dB	
Insulation Resistance		≥ 5000MΩ	
Dielectric Withstanding Voltage (at sea level)		500 V rms	
Working Voltage (at sea level)		150 V rms	
RF leakage		≥ 100dB to 1GHz	
<b>Mechanical Data</b>		2.4	2.92
Recommended Coupling Nut Torque		7.08 to 9.74 in-lbs	11.47 in-lbs
Coupling Proof Torque		15 in-lbs	15 in-lbs
Contact Captivation-axial		≥ 4.5 lbs	≥ 4.9 lbs
Durability (mating)		≥ 500	≥ 500
<b>Environmental Data</b>			
Temperature Range		-55°C to +105°C	
Thermal Shock		MIL-STD-202, Method 107, Condition B	
Moisture Resistance		MIL-STD-202, Method 206	
Corrosion		MIL-STD-202, Method 101, Condition B	
RoHS		Compliant	

# ALS-K8-2.4/3-1.25

