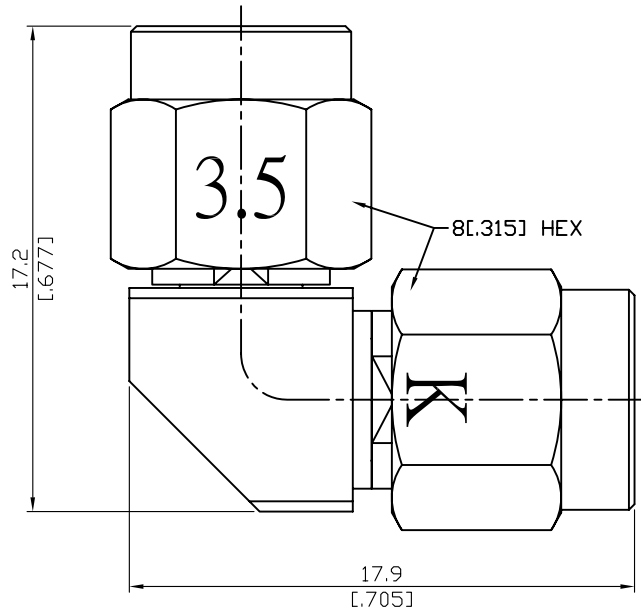


ALS-K3PC3-1.25

Mitered 2.92mm Plug To 3.5mm Plug
34.5GHz VSWR 1.25

50Ω



Parts	Material	Plating (Micro-inch)
Insulator	PPO	
Gasket	Silicone	
Centre Contact	Beryllium Copper	Gold 4 Over Nickel-Phosphorus Alloy 80 Over Copper 20
Retainer Ring	Beryllium Copper	Tin-Zinc-Copper-Alloy 100 Over Copper 50
Body	Stainless Steel	Passivated
Coupling Nut	Stainless Steel	Passivated

This part number complies with RoHS.

Notice: JYEBAO reserves the right to make modifications demand appropriate.

ALS-K3PC3-1.25		Mitered 2.92mm plug to 3.5mm plug 34.5GHz VSWR 1.25	
Interface		2.92	3.5
Standard		MIL-STD-348B	IEC60169-23
Mechanically compatible with		3.5 & SMA	2.92 & SMA
Electrical Data			
Impedance		50Ω	
Frequency Range		DC To 34.5GHz	
VSWR		≤ 1.25 (DC To 34.5GHz)	
Insertion Loss		≤ 0.04 x √f(GHz) dB	
Insulation Resistance		≥ 5000MΩ	
Dielectric Withstanding Voltage (at sea level)		750 V rms	
Working Voltage (at sea level)		250 V rms	
RF leakage		≥ 100dB to 1GHz	
Mechanical Data		2.92	3.5
Recommended Coupling Nut Torque		11.47 in-lbs	7.1 to 9.7 in-lbs
Coupling Proof Torque		15 in-lbs	15 in-lbs
Contact Captivation-axial		≥ 4.9 lbs	≥ 6.1 lbs
Durability (mating)		≥ 500	≥ 500
Environmental Data			
Temperature Range		-55°C to +105°C	
Thermal Shock		MIL-STD-202, Method 107, Condition B	
Moisture Resistance		MIL-STD-202, Method 206	
Corrosion		MIL-STD-202, Method 101, Condition B	
RoHS		Compliant	

ALS-K3PC3-1.25

