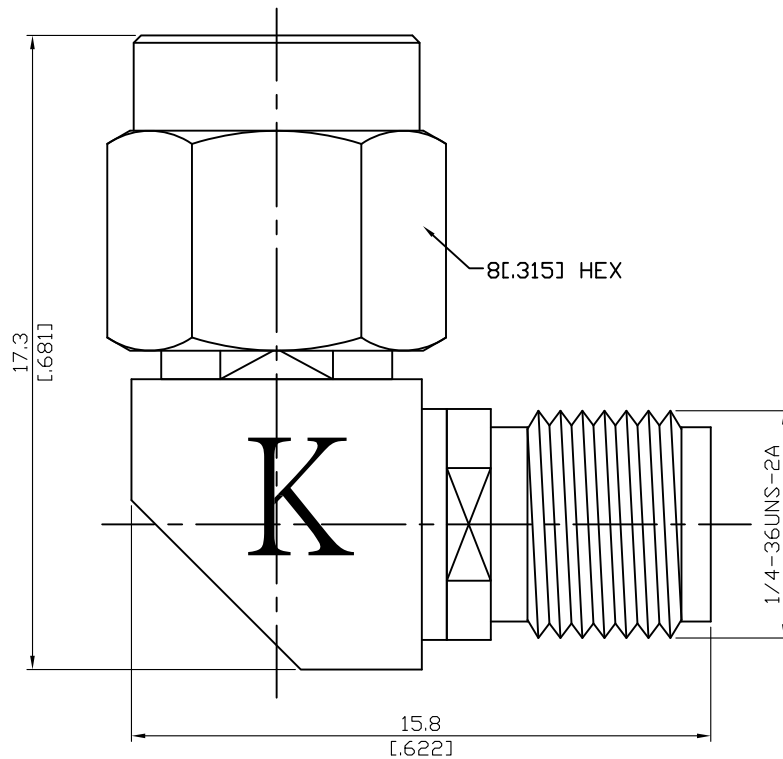


ALS-K3K8-1.15

Mitered 2.92mm Plug To 2.92mm Jack
40GHz VSWR 1.15

50Ω



Parts	Material	Plating (Micro-inch)
Retainer Ring	Beryllium Copper	Tin-Zinc-Copper-Alloy 100 Over Copper 50
Gasket	Silicone	
Contact Pin	Beryllium Copper	Gold 4 Over Nickel-Phosphorus Alloy 80 Over Copper 20
Insulator	PPO	
Body	Stainless Steel	Passivated
Coupling Nut	Stainless Steel	Passivated

--	--

This part number complies with RoHS.

Notice: JYEBAO reserves the right to make modifications deemed appropriate.

ALS-K3K8-1.15	Mitered 2.92mm Plug To 2.92mm Jack 40GHz VSWR 1.15																
<table border="0"> <tr> <td colspan="2" data-bbox="129 342 531 392">Interface</td> </tr> <tr> <td data-bbox="129 398 790 488">Standard Mechanically compatible with</td> <td data-bbox="790 398 1482 488">MIL-STD-348B 3.5 & SMA</td> </tr> </table>		Interface		Standard Mechanically compatible with	MIL-STD-348B 3.5 & SMA												
Interface																	
Standard Mechanically compatible with	MIL-STD-348B 3.5 & SMA																
<table border="0"> <tr> <td colspan="2" data-bbox="129 602 531 651">Electrical Data</td> </tr> <tr> <td data-bbox="129 658 790 696">Impedance</td> <td data-bbox="790 658 1482 696">50Ω</td> </tr> <tr> <td data-bbox="129 703 790 741">Frequency Range</td> <td data-bbox="790 703 1482 741">DC to 40GHz</td> </tr> <tr> <td data-bbox="129 748 790 786">VSWR</td> <td data-bbox="790 748 1482 786">≤ 1.15 (DC To 40GHz)</td> </tr> <tr> <td data-bbox="129 792 790 831">Insertion Loss</td> <td data-bbox="790 792 1482 831">≤ 0.05 x √f(GHz) dB</td> </tr> <tr> <td data-bbox="129 837 790 875">Insulation Resistance</td> <td data-bbox="790 837 1482 875">≥ 5000MΩ</td> </tr> <tr> <td data-bbox="129 882 790 920">Dielectric Withstanding Voltage (at sea level)</td> <td data-bbox="790 882 1482 920">750 V rms</td> </tr> <tr> <td data-bbox="129 927 790 965">Working Voltage (at sea level)</td> <td data-bbox="790 927 1482 965">250 V rms</td> </tr> </table>		Electrical Data		Impedance	50Ω	Frequency Range	DC to 40GHz	VSWR	≤ 1.15 (DC To 40GHz)	Insertion Loss	≤ 0.05 x √f(GHz) dB	Insulation Resistance	≥ 5000MΩ	Dielectric Withstanding Voltage (at sea level)	750 V rms	Working Voltage (at sea level)	250 V rms
Electrical Data																	
Impedance	50Ω																
Frequency Range	DC to 40GHz																
VSWR	≤ 1.15 (DC To 40GHz)																
Insertion Loss	≤ 0.05 x √f(GHz) dB																
Insulation Resistance	≥ 5000MΩ																
Dielectric Withstanding Voltage (at sea level)	750 V rms																
Working Voltage (at sea level)	250 V rms																
<table border="0"> <tr> <td colspan="2" data-bbox="129 1102 531 1151">Mechanical Data</td> </tr> <tr> <td data-bbox="129 1158 790 1196">Recommended Coupling Nut Torque</td> <td data-bbox="790 1158 1482 1196">11.47 in-lbs</td> </tr> <tr> <td data-bbox="129 1202 790 1240">Coupling Proof Torque</td> <td data-bbox="790 1202 1482 1240">15 in-lbs</td> </tr> <tr> <td data-bbox="129 1247 790 1285">Contact Captivation-axial</td> <td data-bbox="790 1247 1482 1285">≥ 4.9 lbs</td> </tr> <tr> <td data-bbox="129 1292 790 1330">Durability (mating)</td> <td data-bbox="790 1292 1482 1330">≥ 500</td> </tr> </table>		Mechanical Data		Recommended Coupling Nut Torque	11.47 in-lbs	Coupling Proof Torque	15 in-lbs	Contact Captivation-axial	≥ 4.9 lbs	Durability (mating)	≥ 500						
Mechanical Data																	
Recommended Coupling Nut Torque	11.47 in-lbs																
Coupling Proof Torque	15 in-lbs																
Contact Captivation-axial	≥ 4.9 lbs																
Durability (mating)	≥ 500																
<table border="0"> <tr> <td colspan="2" data-bbox="129 1453 531 1503">Environmental Data</td> </tr> <tr> <td data-bbox="129 1509 790 1547">Temperature Range</td> <td data-bbox="790 1509 1482 1547">-55°C to +105°C</td> </tr> <tr> <td data-bbox="129 1554 790 1592">Thermal Shock</td> <td data-bbox="790 1554 1482 1592">MIL-STD-202, Method 107, Condition B</td> </tr> <tr> <td data-bbox="129 1599 790 1637">Moisture Resistance</td> <td data-bbox="790 1599 1482 1637">MIL-STD-202, Method 206</td> </tr> <tr> <td data-bbox="129 1644 790 1682">Corrosion</td> <td data-bbox="790 1644 1482 1682">MIL-STD-202, Method 101, Condition B</td> </tr> <tr> <td data-bbox="129 1688 790 1727">RoHS</td> <td data-bbox="790 1688 1482 1727">Compliant</td> </tr> </table>		Environmental Data		Temperature Range	-55°C to +105°C	Thermal Shock	MIL-STD-202, Method 107, Condition B	Moisture Resistance	MIL-STD-202, Method 206	Corrosion	MIL-STD-202, Method 101, Condition B	RoHS	Compliant				
Environmental Data																	
Temperature Range	-55°C to +105°C																
Thermal Shock	MIL-STD-202, Method 107, Condition B																
Moisture Resistance	MIL-STD-202, Method 206																
Corrosion	MIL-STD-202, Method 101, Condition B																
RoHS	Compliant																

Notice: JYEBAO reserves the right to make modifications deemed appropriate.

ALS-K3K8-1.15

