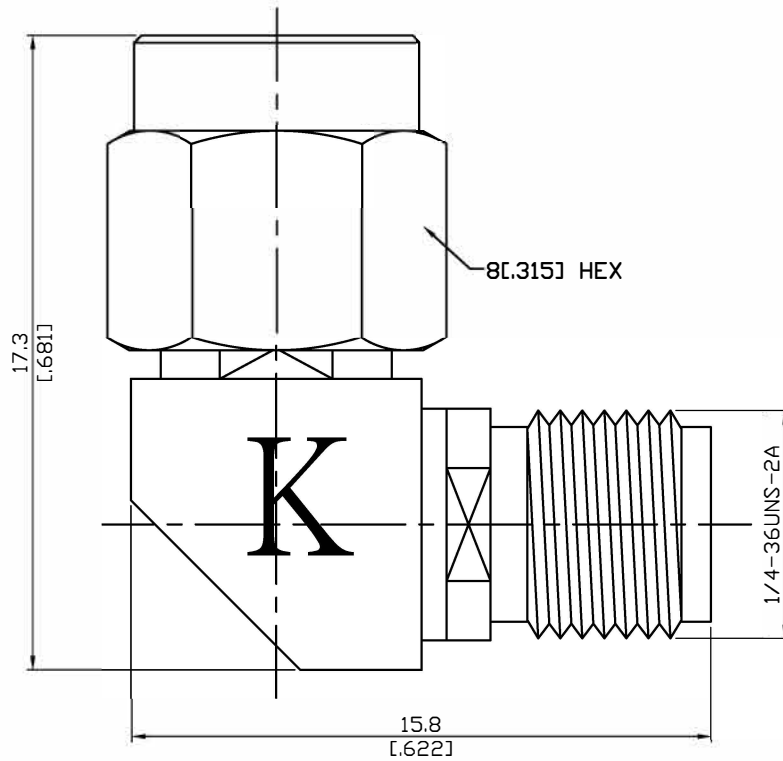


ALS-K3K8-1.1

Mitered 2.92mm Plug To 2.92mm Jack
40GHz VSWR 1.1

50Ω



Parts	Material	Plating (Micro-inch)
Retainer Ring	Beryllium Copper	Tin-Zinc-Copper-Alloy 100 Over Copper 50
Gasket	Silicone	
Contact Pin	Beryllium Copper	Gold 4 Over Nickel-Phosphorus Alloy 80 Over Copper 20
Insulator	PPO	
Body	Stainless Steel	Passivated
Coupling Nut	Stainless Steel	Passivated

--	--

This part number complies with RoHS.

Notice: JYEBAO reserves the right to make modifications deemed appropriate.

ALS-K3K8-1.1	Mitered 2.92mm Plug To 2.92mm Jack 40GHz VSWR 1.1																
<table border="0"> <tr> <td colspan="2" data-bbox="129 342 531 394">Interface</td> </tr> <tr> <td data-bbox="129 400 791 434">Standard</td> <td data-bbox="791 400 1481 434">MIL-STD-348B</td> </tr> <tr> <td data-bbox="129 445 791 479">Mechanically compatible with</td> <td data-bbox="791 445 1481 479">3.5 & SMA</td> </tr> </table>		Interface		Standard	MIL-STD-348B	Mechanically compatible with	3.5 & SMA										
Interface																	
Standard	MIL-STD-348B																
Mechanically compatible with	3.5 & SMA																
<table border="0"> <tr> <td colspan="2" data-bbox="129 602 531 654">Electrical Data</td> </tr> <tr> <td data-bbox="129 660 791 694">Impedance</td> <td data-bbox="791 660 1481 694">50Ω</td> </tr> <tr> <td data-bbox="129 705 791 739">Frequency Range</td> <td data-bbox="791 705 1481 739">DC to 40GHz</td> </tr> <tr> <td data-bbox="129 750 791 784">VSWR</td> <td data-bbox="791 750 1481 784">≤ 1.1 (DC To 40GHz)</td> </tr> <tr> <td data-bbox="129 795 791 828">Insertion Loss</td> <td data-bbox="791 795 1481 828">≤ 0.05 x √f(GHz) dB</td> </tr> <tr> <td data-bbox="129 840 791 873">Insulation Resistance</td> <td data-bbox="791 840 1481 873">≥ 5000MΩ</td> </tr> <tr> <td data-bbox="129 884 791 918">Dielectric Withstanding Voltage (at sea level)</td> <td data-bbox="791 884 1481 918">750 V rms</td> </tr> <tr> <td data-bbox="129 929 791 963">Working Voltage (at sea level)</td> <td data-bbox="791 929 1481 963">250 V rms</td> </tr> </table>		Electrical Data		Impedance	50Ω	Frequency Range	DC to 40GHz	VSWR	≤ 1.1 (DC To 40GHz)	Insertion Loss	≤ 0.05 x √f(GHz) dB	Insulation Resistance	≥ 5000MΩ	Dielectric Withstanding Voltage (at sea level)	750 V rms	Working Voltage (at sea level)	250 V rms
Electrical Data																	
Impedance	50Ω																
Frequency Range	DC to 40GHz																
VSWR	≤ 1.1 (DC To 40GHz)																
Insertion Loss	≤ 0.05 x √f(GHz) dB																
Insulation Resistance	≥ 5000MΩ																
Dielectric Withstanding Voltage (at sea level)	750 V rms																
Working Voltage (at sea level)	250 V rms																
<table border="0"> <tr> <td colspan="2" data-bbox="129 1102 531 1153">Mechanical Data</td> </tr> <tr> <td data-bbox="129 1160 791 1193">Recommended Coupling Nut Torque</td> <td data-bbox="791 1160 1481 1193">11.47 in-lbs</td> </tr> <tr> <td data-bbox="129 1205 791 1238">Coupling Proof Torque</td> <td data-bbox="791 1205 1481 1238">15 in-lbs</td> </tr> <tr> <td data-bbox="129 1249 791 1283">Contact Captivation-axial</td> <td data-bbox="791 1249 1481 1283">≥ 4.9 lbs</td> </tr> <tr> <td data-bbox="129 1294 791 1328">Durability (mating)</td> <td data-bbox="791 1294 1481 1328">≥ 500</td> </tr> </table>		Mechanical Data		Recommended Coupling Nut Torque	11.47 in-lbs	Coupling Proof Torque	15 in-lbs	Contact Captivation-axial	≥ 4.9 lbs	Durability (mating)	≥ 500						
Mechanical Data																	
Recommended Coupling Nut Torque	11.47 in-lbs																
Coupling Proof Torque	15 in-lbs																
Contact Captivation-axial	≥ 4.9 lbs																
Durability (mating)	≥ 500																
<table border="0"> <tr> <td colspan="2" data-bbox="129 1453 531 1505">Environmental Data</td> </tr> <tr> <td data-bbox="129 1512 791 1545">Temperature Range</td> <td data-bbox="791 1512 1481 1545">-55°C to +105°C</td> </tr> <tr> <td data-bbox="129 1556 791 1590">Thermal Shock</td> <td data-bbox="791 1556 1481 1590">MIL-STD-202, Method 107, Condition B</td> </tr> <tr> <td data-bbox="129 1601 791 1635">Moisture Resistance</td> <td data-bbox="791 1601 1481 1635">MIL-STD-202, Method 206</td> </tr> <tr> <td data-bbox="129 1646 791 1680">Corrosion</td> <td data-bbox="791 1646 1481 1680">MIL-STD-202, Method 101, Condition B</td> </tr> <tr> <td data-bbox="129 1691 791 1724">RoHS</td> <td data-bbox="791 1691 1481 1724">Compliant</td> </tr> </table>		Environmental Data		Temperature Range	-55°C to +105°C	Thermal Shock	MIL-STD-202, Method 107, Condition B	Moisture Resistance	MIL-STD-202, Method 206	Corrosion	MIL-STD-202, Method 101, Condition B	RoHS	Compliant				
Environmental Data																	
Temperature Range	-55°C to +105°C																
Thermal Shock	MIL-STD-202, Method 107, Condition B																
Moisture Resistance	MIL-STD-202, Method 206																
Corrosion	MIL-STD-202, Method 101, Condition B																
RoHS	Compliant																

Notice: JYEBAO reserves the right to make modifications deemed appropriate.

ALS-K3K8-1.1

