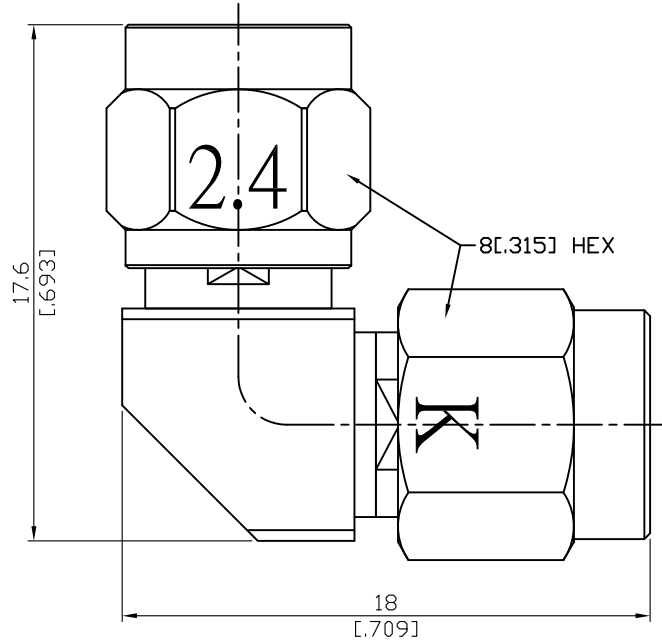


ALS-K3-2.4/3-1.25

Mitered 2.92mm Plug To 2.4mm Plug
40GHz VSWR 1.25

50Ω



| Parts | Material | Plating (Micro-inch) |
|----------------|------------------|---|
| Insulator | PPO | |
| Gasket | Silicone | |
| Centre Contact | Beryllium Copper | Gold 4 Over Nickel-Phosphorus Alloy 80 Over Copper 20 |
| Retainer Ring | Beryllium Copper | Tin-Zinc-Copper-Alloy 100 Over Copper 50 |
| Body | Stainless Steel | Passivated |
| Coupling Nut | Stainless Steel | Passivated |

| | |
|--|--|
| | |
|--|--|

This part number complies with RoHS.

Notice: JYEBAO reserves the right to make modifications deemed appropriate.

| ALS-K3-2.4/3-1.25 | | Mitered 2.92mm Plug To 2.4mm Plug 40GHz VSWR 1.25 | |
|--|--|--|--------------|
| Interface | | 2.4 | 2.92 |
| Standard | | MIL-STD-348B | MIL-STD-348B |
| Mechanically compatible with | | 1.85 | SMA & 3.5 |
| Electrical Data | | | |
| Impedance | | 50Ω | |
| Frequency Range | | DC To 40GHz | |
| VSWR | | ≤ 1.25 (DC To 40GHz) | |
| Insertion Loss | | ≤ 0.06 x √f(GHz) dB | |
| Insulation Resistance | | ≥ 5000MΩ | |
| Dielectric Withstanding Voltage (at sea level) | | 500 V rms | |
| Working Voltage (at sea level) | | 150 V rms | |
| RF leakage | | ≥ 100dB to 1GHz | |
| Mechanical Data | | 2.4 | 2.92 |
| Recommended Coupling Nut Torque | | 7.08 to 9.74 in-lbs | 11.47 in-lbs |
| Coupling Proof Torque | | 15 in-lbs | 15 in-lbs |
| Contact Captivation-axial | | ≥ 4.5 lbs | ≥ 4.9 lbs |
| Durability (mating) | | ≥ 500 | ≥ 500 |
| Environmental Data | | | |
| Temperature Range | | -55°C to +105°C | |
| Thermal Shock | | MIL-STD-202, Method 107, Condition B | |
| Moisture Resistance | | MIL-STD-202, Method 206 | |
| Corrosion | | MIL-STD-202, Method 101, Condition B | |
| RoHS | | Compliant | |

ALS-K3-2.4/3-1.25

