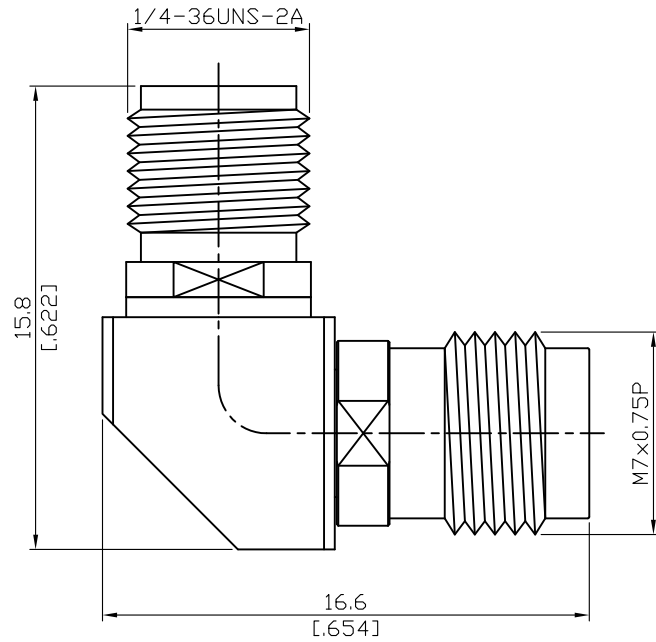


ALS-A8-2.4/8-27-1.15	Mitered SMA Jack to 2.4mm Jack 27GHz VSWR 1.15	50Ω
----------------------	---	-----



Parts	Material	Plating (Micro-inch)
Body	Stainless Steel	Passivated
Insulator (2.4)	PPO	
Contact Pin	Beryllium Copper	Gold 4 Over Nickel-Phosphorus Alloy 80 Over Copper 20
Insulator (SMA)	Teflon	

--	--

This part number complies with RoHS.

Notice: JYEBAO reserves the right to make modifications deemed appropriate.

ALS-A8-2.4/8-27-1.15	Mitered SMA Jack to 2.4mm Jack 27GHz VSWR 1.15																						
<div style="border: 1px solid black; padding: 2px; margin-bottom: 5px;">Interface</div> Standard Mechanically compatible with	<table border="1" style="width: 100%; border-collapse: collapse;"> <thead> <tr> <th style="width: 50%;">2.4</th> <th style="width: 50%;">SMA</th> </tr> </thead> <tbody> <tr> <td>MIL-STD-348B</td> <td>MIL-STD-348B</td> </tr> <tr> <td>1.85</td> <td>2.92 & 3.5</td> </tr> </tbody> </table>	2.4	SMA	MIL-STD-348B	MIL-STD-348B	1.85	2.92 & 3.5																
2.4	SMA																						
MIL-STD-348B	MIL-STD-348B																						
1.85	2.92 & 3.5																						
<div style="border: 1px solid black; padding: 2px; margin-bottom: 5px;">Electrical Data</div> Impedance Frequency Range VSWR Insertion Loss Insulation Resistance Dielectric Withstanding Voltage (at sea level) Working Voltage (at sea level)	<table style="width: 100%;"> <tbody> <tr> <td style="width: 50%;">Impedance</td> <td colspan="2">50Ω</td> </tr> <tr> <td>Frequency Range</td> <td colspan="2">DC To 27GHz</td> </tr> <tr> <td>VSWR</td> <td colspan="2">≤ 1.15 (DC To 27GHz)</td> </tr> <tr> <td>Insertion Loss</td> <td colspan="2">≤ 0.07 x √f(GHz) dB</td> </tr> <tr> <td>Insulation Resistance</td> <td colspan="2">≥ 5000MΩ</td> </tr> <tr> <td>Dielectric Withstanding Voltage (at sea level)</td> <td colspan="2">500 V rms</td> </tr> <tr> <td>Working Voltage (at sea level)</td> <td colspan="2">150 V rms</td> </tr> </tbody> </table>		Impedance	50Ω		Frequency Range	DC To 27GHz		VSWR	≤ 1.15 (DC To 27GHz)		Insertion Loss	≤ 0.07 x √f(GHz) dB		Insulation Resistance	≥ 5000MΩ		Dielectric Withstanding Voltage (at sea level)	500 V rms		Working Voltage (at sea level)	150 V rms	
Impedance	50Ω																						
Frequency Range	DC To 27GHz																						
VSWR	≤ 1.15 (DC To 27GHz)																						
Insertion Loss	≤ 0.07 x √f(GHz) dB																						
Insulation Resistance	≥ 5000MΩ																						
Dielectric Withstanding Voltage (at sea level)	500 V rms																						
Working Voltage (at sea level)	150 V rms																						
<div style="border: 1px solid black; padding: 2px; margin-bottom: 5px;">Mechanical Data</div> Recommended Coupling Nut Torque Coupling Proof Torque Contact Captivation-axial Durability (mating)	<table border="1" style="width: 100%; border-collapse: collapse;"> <thead> <tr> <th style="width: 50%;">2.4</th> <th style="width: 50%;">SMA</th> </tr> </thead> <tbody> <tr> <td>7.08 to 9.74 in-lbs</td> <td>7.5 to 9.5 in-lbs</td> </tr> <tr> <td>15 in-lbs</td> <td>15 in-lbs</td> </tr> <tr> <td>≥ 4.5 lbs</td> <td>≥ 6.1 lbs</td> </tr> <tr> <td>≥ 500</td> <td>≥ 500</td> </tr> </tbody> </table>	2.4	SMA	7.08 to 9.74 in-lbs	7.5 to 9.5 in-lbs	15 in-lbs	15 in-lbs	≥ 4.5 lbs	≥ 6.1 lbs	≥ 500	≥ 500												
2.4	SMA																						
7.08 to 9.74 in-lbs	7.5 to 9.5 in-lbs																						
15 in-lbs	15 in-lbs																						
≥ 4.5 lbs	≥ 6.1 lbs																						
≥ 500	≥ 500																						
<div style="border: 1px solid black; padding: 2px; margin-bottom: 5px;">Environmental Data</div> Temperature Range Thermal Shock Moisture Resistance Corrosion RoHS	<table style="width: 100%;"> <tbody> <tr> <td style="width: 50%;">Temperature Range</td> <td colspan="2">-55°C to +105°C</td> </tr> <tr> <td>Thermal Shock</td> <td colspan="2">MIL-STD-202, Method 107, Condition B</td> </tr> <tr> <td>Moisture Resistance</td> <td colspan="2">MIL-STD-202, Method 206</td> </tr> <tr> <td>Corrosion</td> <td colspan="2">MIL-STD-202, Method 101, Condition B</td> </tr> <tr> <td>RoHS</td> <td colspan="2">Compliant</td> </tr> </tbody> </table>		Temperature Range	-55°C to +105°C		Thermal Shock	MIL-STD-202, Method 107, Condition B		Moisture Resistance	MIL-STD-202, Method 206		Corrosion	MIL-STD-202, Method 101, Condition B		RoHS	Compliant							
Temperature Range	-55°C to +105°C																						
Thermal Shock	MIL-STD-202, Method 107, Condition B																						
Moisture Resistance	MIL-STD-202, Method 206																						
Corrosion	MIL-STD-202, Method 101, Condition B																						
RoHS	Compliant																						

Notice: JYEBAO reserves the right to make modifications deemed appropriate.

ALS-A8-2.4/8-1.15

