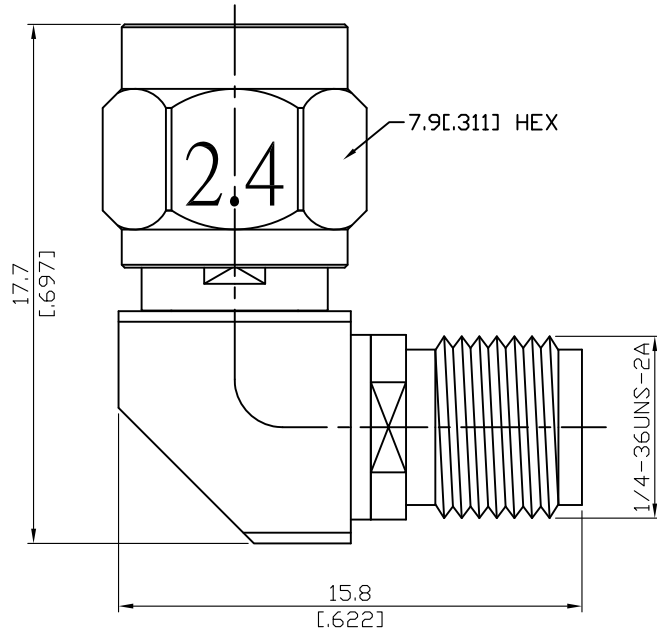


ALS-A8-2.4/3-27-1.2

Mitered SMA jack to 2.4mm plug  
27Ghz VSWR 1.2

50Ω



Parts	Material	Plating ( Micro-inch )
Coupling Nut	Stainless Steel	Passivated
Body	Stainless Steel	Passivated
Insulator (2.4)	PPO	
Insulator (SMA)	PTFE	
Contact Pin	Beryllium Copper	Gold 4 Over Nickel-Phosphorus Alloy 80 Over Copper 20
Gasket	Silicone	
Retainer Ring	Beryllium Copper	Tin-Zinc-Copper-Alloy 100 Over Copper 50

This part number complies with RoHS.

Notice: JYEBAO reserves the right to make modifications deemed appropriate.

ALS-A8-2.4/3-27-1.2	Mitered SMA jack to 2.4mm plug 27Ghz VSWR 1.2																																		
<table border="1"> <tr> <td data-bbox="113 324 531 392">Interface</td> <td data-bbox="531 324 778 392"></td> <td data-bbox="778 324 1123 392">2.4</td> <td data-bbox="1123 324 1482 392">SMA</td> </tr> <tr> <td data-bbox="113 392 531 443">Standard</td> <td data-bbox="531 392 778 443"></td> <td data-bbox="778 392 1123 443">MIL-STD-348B</td> <td data-bbox="1123 392 1482 443">MIL-STD-348B</td> </tr> <tr> <td data-bbox="113 443 531 539">Mechanically compatible with</td> <td data-bbox="531 443 778 539"></td> <td data-bbox="778 443 1123 539">1.85</td> <td data-bbox="1123 443 1482 539">2.92 &amp; 3.5</td> </tr> </table>	Interface		2.4	SMA	Standard		MIL-STD-348B	MIL-STD-348B	Mechanically compatible with		1.85	2.92 & 3.5																							
Interface		2.4	SMA																																
Standard		MIL-STD-348B	MIL-STD-348B																																
Mechanically compatible with		1.85	2.92 & 3.5																																
<table border="1"> <tr> <td data-bbox="113 539 531 607">Electrical Data</td> <td data-bbox="531 539 778 607"></td> <td data-bbox="778 539 1123 607"></td> <td data-bbox="1123 539 1482 607"></td> </tr> <tr> <td data-bbox="113 607 531 658">Impedance</td> <td data-bbox="531 607 778 658"></td> <td data-bbox="778 607 1123 658">50Ω</td> <td data-bbox="1123 607 1482 658"></td> </tr> <tr> <td data-bbox="113 658 531 710">Frequency Range</td> <td data-bbox="531 658 778 710"></td> <td data-bbox="778 658 1123 710">DC To 27GHz</td> <td data-bbox="1123 658 1482 710"></td> </tr> <tr> <td data-bbox="113 710 531 761">VSWR</td> <td data-bbox="531 710 778 761"></td> <td data-bbox="778 710 1123 761">≤ 1.2 (DC To 27GHz)</td> <td data-bbox="1123 710 1482 761"></td> </tr> <tr> <td data-bbox="113 761 531 813">Insertion Loss</td> <td data-bbox="531 761 778 813"></td> <td data-bbox="778 761 1123 813">≤ 0.07 x √f(GHz) dB</td> <td data-bbox="1123 761 1482 813"></td> </tr> <tr> <td data-bbox="113 813 531 864">Insulation Resistance</td> <td data-bbox="531 813 778 864"></td> <td data-bbox="778 813 1123 864">≥ 5000MΩ</td> <td data-bbox="1123 813 1482 864"></td> </tr> <tr> <td data-bbox="113 864 531 916">Dielectric Withstanding Voltage (at sea level)</td> <td data-bbox="531 864 778 916"></td> <td data-bbox="778 864 1123 916">500 V rms</td> <td data-bbox="1123 864 1482 916"></td> </tr> <tr> <td data-bbox="113 916 531 987">Working Voltage (at sea level)</td> <td data-bbox="531 916 778 987"></td> <td data-bbox="778 916 1123 987">150 V rms</td> <td data-bbox="1123 916 1482 987"></td> </tr> </table>	Electrical Data				Impedance		50Ω		Frequency Range		DC To 27GHz		VSWR		≤ 1.2 (DC To 27GHz)		Insertion Loss		≤ 0.07 x √f(GHz) dB		Insulation Resistance		≥ 5000MΩ		Dielectric Withstanding Voltage (at sea level)		500 V rms		Working Voltage (at sea level)		150 V rms				
Electrical Data																																			
Impedance		50Ω																																	
Frequency Range		DC To 27GHz																																	
VSWR		≤ 1.2 (DC To 27GHz)																																	
Insertion Loss		≤ 0.07 x √f(GHz) dB																																	
Insulation Resistance		≥ 5000MΩ																																	
Dielectric Withstanding Voltage (at sea level)		500 V rms																																	
Working Voltage (at sea level)		150 V rms																																	
<table border="1"> <tr> <td data-bbox="113 987 531 1055">Mechanical Data</td> <td data-bbox="531 987 778 1055"></td> <td data-bbox="778 987 1123 1055">2.4</td> <td data-bbox="1123 987 1482 1055">SMA</td> </tr> <tr> <td data-bbox="113 1055 531 1106">Recommended Coupling Nut Torque</td> <td data-bbox="531 1055 778 1106"></td> <td data-bbox="778 1055 1123 1106">7.08 to 9.74 in-lbs</td> <td data-bbox="1123 1055 1482 1106">7.5 to 9.5 in-lbs</td> </tr> <tr> <td data-bbox="113 1106 531 1158">Coupling Proof Torque</td> <td data-bbox="531 1106 778 1158"></td> <td data-bbox="778 1106 1123 1158">15 in-lbs</td> <td data-bbox="1123 1106 1482 1158">15 in-lbs</td> </tr> <tr> <td data-bbox="113 1158 531 1209">Coupling Nut Retention Force</td> <td data-bbox="531 1158 778 1209"></td> <td data-bbox="778 1158 1123 1209">≥ 60.7 lbs</td> <td data-bbox="1123 1158 1482 1209">≥ 60.7 lbs</td> </tr> <tr> <td data-bbox="113 1209 531 1261">Contact Captivation-axial</td> <td data-bbox="531 1209 778 1261"></td> <td data-bbox="778 1209 1123 1261">≥ 4.5 lbs</td> <td data-bbox="1123 1209 1482 1261">≥ 6.1 lbs</td> </tr> <tr> <td data-bbox="113 1261 531 1391">Durability (mating)</td> <td data-bbox="531 1261 778 1391"></td> <td data-bbox="778 1261 1123 1391">≥ 500</td> <td data-bbox="1123 1261 1482 1391">≥ 500</td> </tr> </table>	Mechanical Data		2.4	SMA	Recommended Coupling Nut Torque		7.08 to 9.74 in-lbs	7.5 to 9.5 in-lbs	Coupling Proof Torque		15 in-lbs	15 in-lbs	Coupling Nut Retention Force		≥ 60.7 lbs	≥ 60.7 lbs	Contact Captivation-axial		≥ 4.5 lbs	≥ 6.1 lbs	Durability (mating)		≥ 500	≥ 500											
Mechanical Data		2.4	SMA																																
Recommended Coupling Nut Torque		7.08 to 9.74 in-lbs	7.5 to 9.5 in-lbs																																
Coupling Proof Torque		15 in-lbs	15 in-lbs																																
Coupling Nut Retention Force		≥ 60.7 lbs	≥ 60.7 lbs																																
Contact Captivation-axial		≥ 4.5 lbs	≥ 6.1 lbs																																
Durability (mating)		≥ 500	≥ 500																																
<table border="1"> <tr> <td data-bbox="113 1391 531 1458">Environmental Data</td> <td data-bbox="531 1391 778 1458"></td> <td data-bbox="778 1391 1123 1458"></td> <td data-bbox="1123 1391 1482 1458"></td> </tr> <tr> <td data-bbox="113 1458 531 1509">Temperature Range</td> <td data-bbox="531 1458 778 1509"></td> <td data-bbox="778 1458 1123 1509">-55°C to +105°C</td> <td data-bbox="1123 1458 1482 1509"></td> </tr> <tr> <td data-bbox="113 1509 531 1561">Thermal Shock</td> <td data-bbox="531 1509 778 1561"></td> <td data-bbox="778 1509 1123 1561">MIL-STD-202, Method 107, Condition B</td> <td data-bbox="1123 1509 1482 1561"></td> </tr> <tr> <td data-bbox="113 1561 531 1612">Moisture Resistance</td> <td data-bbox="531 1561 778 1612"></td> <td data-bbox="778 1561 1123 1612">MIL-STD-202, Method 206</td> <td data-bbox="1123 1561 1482 1612"></td> </tr> <tr> <td data-bbox="113 1612 531 1664">Corrosion</td> <td data-bbox="531 1612 778 1664"></td> <td data-bbox="778 1612 1123 1664">MIL-STD-202, Method 101, Condition B</td> <td data-bbox="1123 1612 1482 1664"></td> </tr> <tr> <td data-bbox="113 1664 531 2060">RoHS</td> <td data-bbox="531 1664 778 2060"></td> <td data-bbox="778 1664 1123 2060">Compliant</td> <td data-bbox="1123 1664 1482 2060"></td> </tr> </table>	Environmental Data				Temperature Range		-55°C to +105°C		Thermal Shock		MIL-STD-202, Method 107, Condition B		Moisture Resistance		MIL-STD-202, Method 206		Corrosion		MIL-STD-202, Method 101, Condition B		RoHS		Compliant												
Environmental Data																																			
Temperature Range		-55°C to +105°C																																	
Thermal Shock		MIL-STD-202, Method 107, Condition B																																	
Moisture Resistance		MIL-STD-202, Method 206																																	
Corrosion		MIL-STD-202, Method 101, Condition B																																	
RoHS		Compliant																																	

Notice: JYEBAO reserves the right to make modifications deemed appropriate.