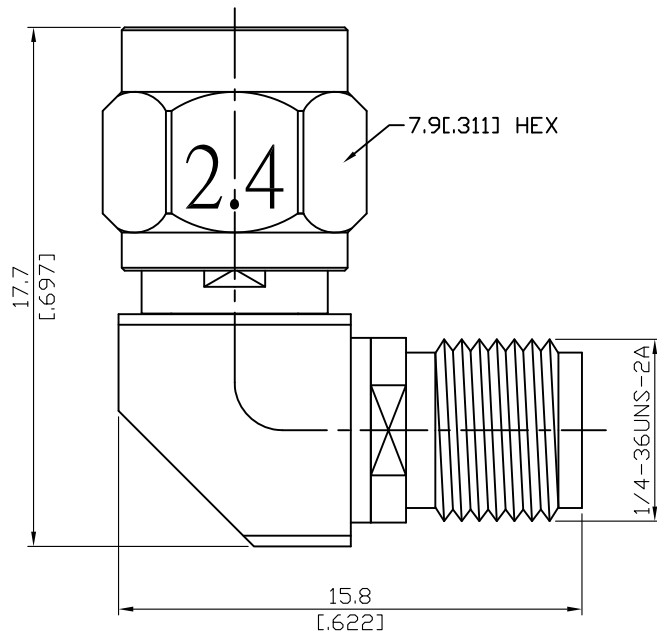


ALS-A8-2.4/3-27-1.15

Mitered SMA jack to 2.4mm plug  
27Ghz VSWR 1.15

50Ω



Parts	Material	Plating ( Micro-inch )
Coupling Nut	Stainless Steel	Passivated
Body	Stainless Steel	Passivated
Insulator (2.4)	PPO	
Insulator (SMA)	PTFE	
Contact Pin	Beryllium Copper	Gold 4 Over Nickel-Phosphorus Alloy 80 Over Copper 20
Gasket	Silicone	
Retainer Ring	Beryllium Copper	Tin-Zinc-Copper-Alloy 100 Over Copper 50

This part number complies with RoHS.

Notice: JYEBAO reserves the right to make modifications deemed appropriate.

ALS-A8-2.4/3-27-1.15	Mitered SMA jack to 2.4mm plug 27Ghz VSWR 1.15													
<div style="border: 1px solid black; padding: 2px;">Interface</div> Standard Mechanically compatible with	<table border="1" style="width: 100%; text-align: center;"> <tr> <td style="width: 50%;">2.4</td> <td style="width: 50%;">SMA</td> </tr> <tr> <td>MIL-STD-348B</td> <td>MIL-STD-348B</td> </tr> <tr> <td>1.85</td> <td>2.92 &amp; 3.5</td> </tr> </table>	2.4	SMA	MIL-STD-348B	MIL-STD-348B	1.85	2.92 & 3.5							
2.4	SMA													
MIL-STD-348B	MIL-STD-348B													
1.85	2.92 & 3.5													
<div style="border: 1px solid black; padding: 2px;">Electrical Data</div> Impedance Frequency Range VSWR Insertion Loss Insulation Resistance Dielectric Withstanding Voltage (at sea level) Working Voltage (at sea level)	<table style="width: 100%;"> <tr> <td style="width: 50%;">50Ω</td> <td style="width: 50%;">DC To 27GHz</td> </tr> <tr> <td>≤ 1.15 (DC To 27GHz)</td> <td>≤ 0.07 x √f(GHz) dB</td> </tr> <tr> <td>≥ 5000MΩ</td> <td>500 V rms</td> </tr> <tr> <td>500 V rms</td> <td>150 V rms</td> </tr> </table>		50Ω	DC To 27GHz	≤ 1.15 (DC To 27GHz)	≤ 0.07 x √f(GHz) dB	≥ 5000MΩ	500 V rms	500 V rms	150 V rms				
50Ω	DC To 27GHz													
≤ 1.15 (DC To 27GHz)	≤ 0.07 x √f(GHz) dB													
≥ 5000MΩ	500 V rms													
500 V rms	150 V rms													
<div style="border: 1px solid black; padding: 2px;">Mechanical Data</div> Recommended Coupling Nut Torque Coupling Proof Torque Coupling Nut Retention Force Contact Captivation-axial Durability (mating)	<table border="1" style="width: 100%; text-align: center;"> <tr> <td style="width: 50%;">2.4</td> <td style="width: 50%;">SMA</td> </tr> <tr> <td>7.08 to 9.74 in-lbs</td> <td>7.5 to 9.5 in-lbs</td> </tr> <tr> <td>15 in-lbs</td> <td>15 in-lbs</td> </tr> <tr> <td>≥ 60.7 lbs</td> <td>≥ 60.7 lbs</td> </tr> <tr> <td>≥ 4.5 lbs</td> <td>≥ 6.1 lbs</td> </tr> <tr> <td>≥ 500</td> <td>≥ 500</td> </tr> </table>		2.4	SMA	7.08 to 9.74 in-lbs	7.5 to 9.5 in-lbs	15 in-lbs	15 in-lbs	≥ 60.7 lbs	≥ 60.7 lbs	≥ 4.5 lbs	≥ 6.1 lbs	≥ 500	≥ 500
2.4	SMA													
7.08 to 9.74 in-lbs	7.5 to 9.5 in-lbs													
15 in-lbs	15 in-lbs													
≥ 60.7 lbs	≥ 60.7 lbs													
≥ 4.5 lbs	≥ 6.1 lbs													
≥ 500	≥ 500													
<div style="border: 1px solid black; padding: 2px;">Environmental Data</div> Temperature Range Thermal Shock Moisture Resistance Corrosion RoHS	<table style="width: 100%;"> <tr> <td style="width: 50%;">-55°C to +105°C</td> <td style="width: 50%;">MIL-STD-202, Method 107, Condition B</td> </tr> <tr> <td>MIL-STD-202, Method 206</td> <td>MIL-STD-202, Method 101, Condition B</td> </tr> <tr> <td>Compliant</td> <td></td> </tr> </table>		-55°C to +105°C	MIL-STD-202, Method 107, Condition B	MIL-STD-202, Method 206	MIL-STD-202, Method 101, Condition B	Compliant							
-55°C to +105°C	MIL-STD-202, Method 107, Condition B													
MIL-STD-202, Method 206	MIL-STD-202, Method 101, Condition B													
Compliant														

Notice: JYEBAO reserves the right to make modifications deemed appropriate.