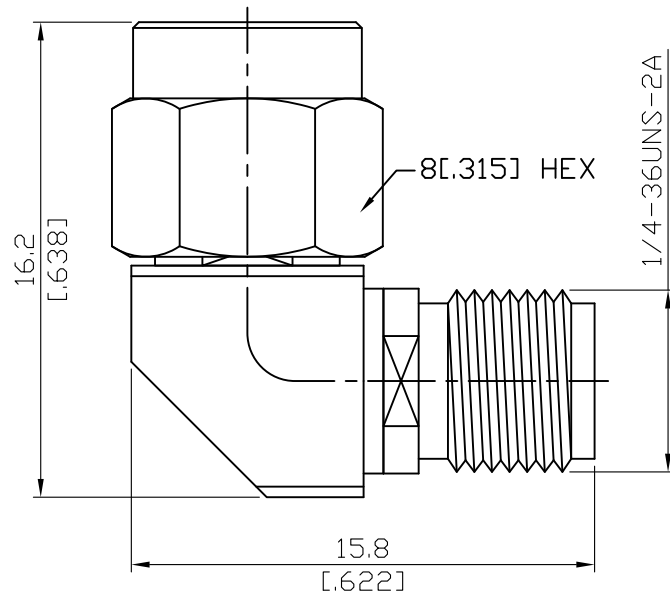


ALS-A6A8-18

Mitered SMA Reverse Polarity Plug To SMA Plug
18GHz VSWR 1.2

50Ω



Parts	Material	Plating (Micro-inch)
Retainer Ring	Beryllium Copper	Tin-Zinc-Copper-Alloy 100 Over Copper 50
Gasket	Silicone	
Contact Pin	Beryllium Copper	Gold 4 Over Nickel-Phosphorus Alloy 80 Over Copper 20
Insulator	Teflon	
Body	Stainless Steel	Passivated
Coupling Nut	Stainless Steel	Passivated

This part number complies with RoHS.

Notice: JYEBAO reserves the right to make modifications deemed appropriate.

ALS-A6A8-18	Mitered SMA Reverse Polarity Plug To SMA Plug 18GHz VSWR 1.2														
<p>Interface</p> <p>Reverse Polarity Plug Side: Per JYEBAO SMA Reverse Polarity Plug derived from MIL-STD-348B</p> <p>Standard Polarity Jack Side: Per MIL-STD-348B; Mechanically compatible with 2.92 & 3.5</p>															
<p>Electrical Data</p> <table border="0"> <tr> <td>Impedance</td> <td>50Ω</td> </tr> <tr> <td>Frequency Range</td> <td>DC To 18GHz</td> </tr> <tr> <td>VSWR</td> <td>≤ 1.2 (DC To 18GHz)</td> </tr> <tr> <td>Insertion Loss</td> <td>≤ 0.06 x √f(GHz) dB</td> </tr> <tr> <td>Insulation Resistance</td> <td>≥ 5000MΩ</td> </tr> <tr> <td>Dielectric Withstanding Voltage (at sea level)</td> <td>1500 V rms</td> </tr> <tr> <td>Working Voltage (at sea level)</td> <td>500 V rms</td> </tr> </table>		Impedance	50Ω	Frequency Range	DC To 18GHz	VSWR	≤ 1.2 (DC To 18GHz)	Insertion Loss	≤ 0.06 x √f(GHz) dB	Insulation Resistance	≥ 5000MΩ	Dielectric Withstanding Voltage (at sea level)	1500 V rms	Working Voltage (at sea level)	500 V rms
Impedance	50Ω														
Frequency Range	DC To 18GHz														
VSWR	≤ 1.2 (DC To 18GHz)														
Insertion Loss	≤ 0.06 x √f(GHz) dB														
Insulation Resistance	≥ 5000MΩ														
Dielectric Withstanding Voltage (at sea level)	1500 V rms														
Working Voltage (at sea level)	500 V rms														
<p>Mechanical Data</p> <table border="0"> <tr> <td>Recommended Coupling Nut Torque</td> <td>7 to 9.5 in-lbs</td> </tr> <tr> <td>Coupling Proof Torque</td> <td>15 in-lbs</td> </tr> <tr> <td>Coupling Nut Retention Force</td> <td>≥ 60.7 lbs</td> </tr> <tr> <td>Contact Captivation-axial</td> <td>≥ 6.1 lbs</td> </tr> <tr> <td>Durability (mating)</td> <td>≥ 500</td> </tr> </table>		Recommended Coupling Nut Torque	7 to 9.5 in-lbs	Coupling Proof Torque	15 in-lbs	Coupling Nut Retention Force	≥ 60.7 lbs	Contact Captivation-axial	≥ 6.1 lbs	Durability (mating)	≥ 500				
Recommended Coupling Nut Torque	7 to 9.5 in-lbs														
Coupling Proof Torque	15 in-lbs														
Coupling Nut Retention Force	≥ 60.7 lbs														
Contact Captivation-axial	≥ 6.1 lbs														
Durability (mating)	≥ 500														
<p>Environmental Data</p> <table border="0"> <tr> <td>Temperature Range</td> <td>-65°C to +165°C</td> </tr> <tr> <td>Thermal Shock</td> <td>MIL-STD-202, Method 107, Condition B</td> </tr> <tr> <td>Moisture Resistance</td> <td>MIL-STD-202, Method 206</td> </tr> <tr> <td>Corrosion</td> <td>MIL-STD-202, Method 101, Condition B</td> </tr> <tr> <td>RoHS</td> <td>Compliant</td> </tr> </table>		Temperature Range	-65°C to +165°C	Thermal Shock	MIL-STD-202, Method 107, Condition B	Moisture Resistance	MIL-STD-202, Method 206	Corrosion	MIL-STD-202, Method 101, Condition B	RoHS	Compliant				
Temperature Range	-65°C to +165°C														
Thermal Shock	MIL-STD-202, Method 107, Condition B														
Moisture Resistance	MIL-STD-202, Method 206														
Corrosion	MIL-STD-202, Method 101, Condition B														
RoHS	Compliant														

Notice: JYEBAO reserves the right to make modifications deemed appropriate.