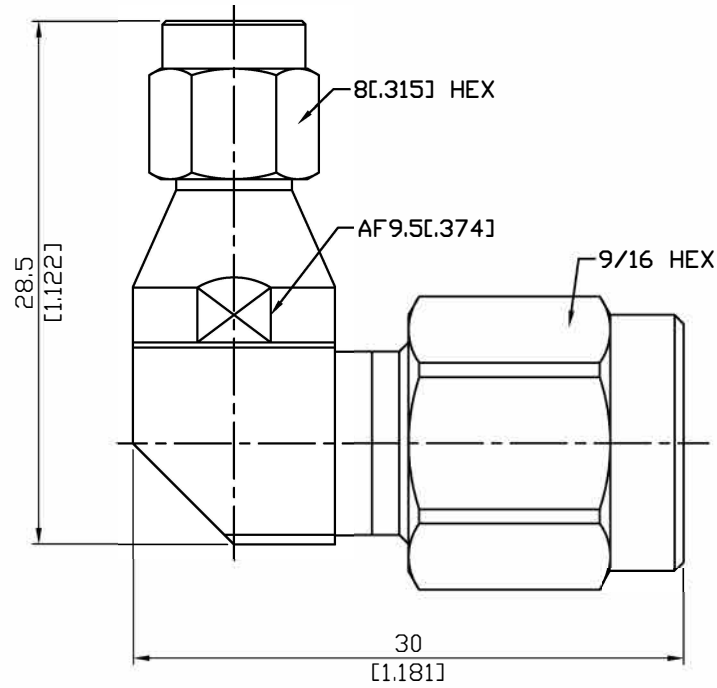


ALS-A3T3-18-1.3

Mitered SMA Plug To TNC Plug  
18GHz VSWR 1.3

50Ω



| Parts         | Material         | Plating ( Micro-inch )                                |
|---------------|------------------|---|
| Retainer Ring | P.Bronze         | Tin-Zinc-Copper-Alloy 100 Over Copper 50              |
| Retainer Ring | Beryllium Copper | Tin-Zinc-Copper-Alloy 100 Over Copper 50              |
| Gasket        | Silicone         |   |
| Contact Pin   | Beryllium Copper | Gold 4 Over Nickel-Phosphorus Alloy 80 Over Copper 20 |
| Insulator     | Teflon           |   |
| Body          | Stainless Steel  | Passivated  |
| Coupling Nut  | Stainless Steel  | Passivated  |

This part number complies with RoHS.

Notice: JYEBAO reserves the right to make modifications deemed appropriate.

| ALS-A3T3-18-1.3                                |  | Mitered SMA Plug To TNC Plug<br>18GHz VSWR 1.3 |                   |
|--|--|--|-------------------|
| <b>Interface</b>                               |  | SMA  | TNC               |
| Standard                                       |  | MIL-STD-348B                                   | MIL-STD-348B      |
| Mechanically compatible with                   |  | 2.92 & 3.5                                     |                   |
| <b>Electrical Data</b>                         |  |  |                   |
| Impedance                                      |  | 50Ω  |                   |
| Frequency Range                                |  | DC To 18GHz                                    |                   |
| VSWR   |  | ≤ 1.3 (DC To 18GHz)                            |                   |
| Insertion Loss                                 |  | ≤ 0.07 x √f(GHz) dB                            |                   |
| Insulation Resistance                          |  | ≥ 5000MΩ                                       |                   |
| Dielectric Withstanding Voltage (at sea level) |  | 1500 V rms                                     |                   |
| Working Voltage (at sea level)                 |  | 500 V rms                                      |                   |
| <b>Mechanical Data</b>                         |  | SMA  | TNC               |
| Recommended Coupling Nut Torque                |  | 7 to 9.5 in-lbs                                | 4.1 to 6.1 in-lbs |
| Coupling Proof Torque                          |  | 15 in-lbs                                      | 15 in-lbs         |
| Coupling Nut Retention Force                   |  | ≥ 60.7 lbs                                     | ≥ 101.2 lbs       |
| Contact Captivation-axial                      |  | ≥ 6.1 lbs                                      | ≥ 6.1 lbs         |
| Durability (mating)                            |  | ≥ 500  | ≥ 500             |
| <b>Environmental Data</b>                      |  |  |                   |
| Temperature Range                              |  | -65°C to +165°C                                |                   |
| Thermal Shock                                  |  | MIL-STD-202, Method                            |                   |
| Moisture Resistance                            |  | MIL-STD-202, Method                            |                   |
| Corrosion                                      |  | MIL-STD-202, Method                            |                   |
| RoHS   |  | Compliant                                      |                   |

Notice: JYEBAO reserves the right to make modifications deemed appropriate.

# ALS-A3T3-18-1.3

