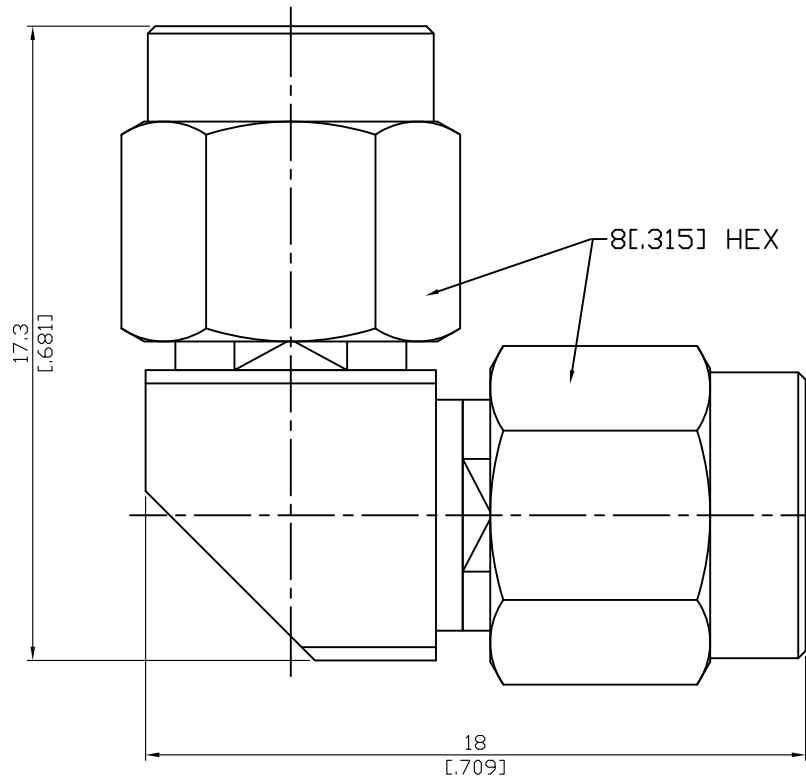


ALS-A3A3-18-1.15

Mitered SMA Plug To SMA Plug
18GHz VSWR 1.15

50Ω



Parts	Material	Plating (Micro-inch)
Retainer Ring	Beryllium Copper	Tin-Zinc-Copper-Alloy 100 Over Copper 50
Gasket	Silicone	
Contact Pin	Beryllium Copper	Gold 4 Over Nickel-Phosphorus Alloy 80 Over Copper 20
Insulator	Teflon	
Body	Stainless Steel	Passivated
Coupling Nut	Stainless Steel	Passivated

This part number complies with RoHS.

Notice: JYEBAO reserves the right to make modifications deemed appropriate.

ALS-A3A3-18-1.15	Mitered SMA Plug To SMA Plug 18GHz VSWR 1.15
<div style="border: 1px solid black; padding: 2px; margin-bottom: 5px;">Interface</div> <p>Standard MIL-STD-348B</p> <p>Mechanically compatible with 2.92 & 3.5</p>	
<div style="border: 1px solid black; padding: 2px; margin-bottom: 5px;">Electrical Data</div> <p>Impedance 50Ω</p> <p>Frequency Range DC To 18GHz</p> <p>VSWR ≤ 1.15 (DC To 18GHz)</p> <p>Insertion Loss $\leq 0.06 \times \sqrt{f(\text{GHz})}$ dB</p> <p>Insulation Resistance $\geq 5000\text{M}\Omega$</p> <p>Dielectric Withstanding Voltage (at sea level) 1500 V rms</p> <p>Working Voltage (at sea level) 500 V rms</p>	
<div style="border: 1px solid black; padding: 2px; margin-bottom: 5px;">Mechanical Data</div> <p>Recommended Coupling Nut Torque 7 to 9.5 in-lbs</p> <p>Coupling Proof Torque 15 in-lbs</p> <p>Coupling Nut Retention Force ≥ 60.7 lbs</p> <p>Contact Captivation-axial ≥ 6.1 lbs</p> <p>Durability (mating) ≥ 500</p>	
<div style="border: 1px solid black; padding: 2px; margin-bottom: 5px;">Environmental Data</div> <p>Temperature Range -65°C to +165°C</p> <p>Thermal Shock MIL-STD-202, Method 107, Condition B</p> <p>Moisture Resistance MIL-STD-202, Method 206</p> <p>Corrosion MIL-STD-202, Method 101, Condition B</p> <p>RoHS Compliant</p>	

ALS-A3A3-18-1.15

