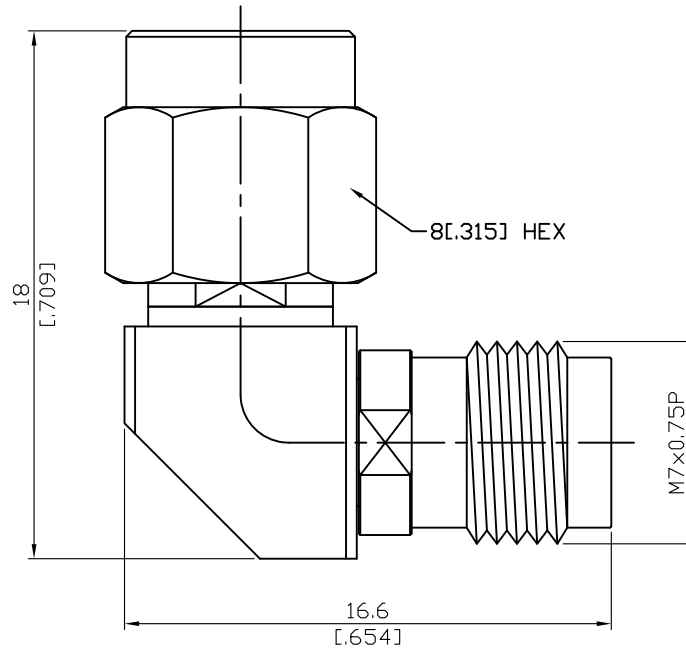


ALS-A3-2.4/8-27-1.15

Mitered SMA Plug to 2.4mm Jack
27GHz VSWR 1.15

50Ω



Parts	Material	Plating (Micro-inch)
Coupling Nut	Stainless Steel	Passivated
Body	Stainless Steel	Passivated
Insulator (2.4)	PPO	
Contact Pin	Beryllium Copper	Gold 4 Over Nickel-Phosphorus Alloy 80 Over Copper 20
Gasket	Silicone	
Retainer Ring	Beryllium Copper	Tin-Zinc-Copper-Alloy 100 Over Copper 50
Insulator (SMA)	Teflon	

This part number complies with RoHS.

Notice: JYEBAO reserves the right to make modifications deemed appropriate.

ALS-A3-2.4/8-27-1.15	Mitered SMA Plug to 2.4mm Jack 27GHz VSWR 1.15															
Interface Standard Mechanically compatible with	<table border="1"> <thead> <tr> <th data-bbox="780 344 1123 394">2.4</th> <th data-bbox="1123 344 1482 394">SMA</th> </tr> </thead> <tbody> <tr> <td data-bbox="780 394 1123 443">MIL-STD-348B</td> <td data-bbox="1123 394 1482 443">MIL-STD-348B</td> </tr> <tr> <td data-bbox="780 443 1123 492">1.85</td> <td data-bbox="1123 443 1482 492">2.92 & 3.5</td> </tr> </tbody> </table>	2.4	SMA	MIL-STD-348B	MIL-STD-348B	1.85	2.92 & 3.5									
2.4	SMA															
MIL-STD-348B	MIL-STD-348B															
1.85	2.92 & 3.5															
Electrical Data Impedance Frequency Range VSWR Insertion Loss Insulation Resistance Dielectric Withstanding Voltage (at sea level) Working Voltage (at sea level)	<table border="1"> <tbody> <tr> <td data-bbox="780 607 1123 656">50Ω</td> <td data-bbox="1123 607 1482 656"></td> </tr> <tr> <td data-bbox="780 656 1123 705">DC To 27GHz</td> <td data-bbox="1123 656 1482 705"></td> </tr> <tr> <td data-bbox="780 705 1123 754">≤ 1.15 (DC To 27GHz)</td> <td data-bbox="1123 705 1482 754"></td> </tr> <tr> <td data-bbox="780 754 1123 804">≤ 0.07 x √f(GHz) dB</td> <td data-bbox="1123 754 1482 804"></td> </tr> <tr> <td data-bbox="780 804 1123 853">≥ 5000MΩ</td> <td data-bbox="1123 804 1482 853"></td> </tr> <tr> <td data-bbox="780 853 1123 902">500 V rms</td> <td data-bbox="1123 853 1482 902"></td> </tr> <tr> <td data-bbox="780 902 1123 952">150 V rms</td> <td data-bbox="1123 902 1482 952"></td> </tr> </tbody> </table>		50Ω		DC To 27GHz		≤ 1.15 (DC To 27GHz)		≤ 0.07 x √f(GHz) dB		≥ 5000MΩ		500 V rms		150 V rms	
50Ω																
DC To 27GHz																
≤ 1.15 (DC To 27GHz)																
≤ 0.07 x √f(GHz) dB																
≥ 5000MΩ																
500 V rms																
150 V rms																
Mechanical Data Recommended Coupling Nut Torque Coupling Proof Torque Coupling Nut Retention Force Contact Captivation-axial Durability (mating)	<table border="1"> <thead> <tr> <th data-bbox="780 1008 1123 1057">2.4</th> <th data-bbox="1123 1008 1482 1057">SMA</th> </tr> </thead> <tbody> <tr> <td data-bbox="780 1057 1123 1106">7.08 to 9.74 in-lbs</td> <td data-bbox="1123 1057 1482 1106">7.5 to 9.5 in-lbs</td> </tr> <tr> <td data-bbox="780 1106 1123 1155">15 in-lbs</td> <td data-bbox="1123 1106 1482 1155">15 in-lbs</td> </tr> <tr> <td data-bbox="780 1155 1123 1205">NA</td> <td data-bbox="1123 1155 1482 1205">≥ 60.7 lbs</td> </tr> <tr> <td data-bbox="780 1205 1123 1254">≥ 4.5 lbs</td> <td data-bbox="1123 1205 1482 1254">≥ 6.1 lbs</td> </tr> <tr> <td data-bbox="780 1254 1123 1303">≥ 500</td> <td data-bbox="1123 1254 1482 1303">≥ 500</td> </tr> </tbody> </table>		2.4	SMA	7.08 to 9.74 in-lbs	7.5 to 9.5 in-lbs	15 in-lbs	15 in-lbs	NA	≥ 60.7 lbs	≥ 4.5 lbs	≥ 6.1 lbs	≥ 500	≥ 500		
2.4	SMA															
7.08 to 9.74 in-lbs	7.5 to 9.5 in-lbs															
15 in-lbs	15 in-lbs															
NA	≥ 60.7 lbs															
≥ 4.5 lbs	≥ 6.1 lbs															
≥ 500	≥ 500															
Environmental Data Temperature Range Thermal Shock Moisture Resistance Corrosion RoHS	<table border="1"> <tbody> <tr> <td data-bbox="780 1458 1123 1507">-55°C to +105°C</td> <td data-bbox="1123 1458 1482 1507"></td> </tr> <tr> <td data-bbox="780 1507 1123 1556">MIL-STD-202, Method 107, Condition B</td> <td data-bbox="1123 1507 1482 1556"></td> </tr> <tr> <td data-bbox="780 1556 1123 1606">MIL-STD-202, Method 206</td> <td data-bbox="1123 1556 1482 1606"></td> </tr> <tr> <td data-bbox="780 1606 1123 1655">MIL-STD-202, Method 101, Condition B</td> <td data-bbox="1123 1606 1482 1655"></td> </tr> <tr> <td data-bbox="780 1655 1123 1704">Compliant</td> <td data-bbox="1123 1655 1482 1704"></td> </tr> </tbody> </table>		-55°C to +105°C		MIL-STD-202, Method 107, Condition B		MIL-STD-202, Method 206		MIL-STD-202, Method 101, Condition B		Compliant					
-55°C to +105°C																
MIL-STD-202, Method 107, Condition B																
MIL-STD-202, Method 206																
MIL-STD-202, Method 101, Condition B																
Compliant																

ALS-A3-2.4/8-1.15

